

WINGITS®

INFINITE Elegance™

Stainless Steel Floating Shelf/ Toilet Paper Holder

Model:

WIEFSTPH

Part Numbers:

WIEFSTPHLHPS Polished Finish	WIEFSTPHRHPS Polished Finish
WIEFSTPHPSLHB Polished Brass Finish	WIEFSTPHRHPSB Polished Brass Finish
WIEFSTPHLHSN Satin Finish	WIEFSTPHRHSN Satin Finish
WIEFSTPHLHSNB Satin Brass Finish	WIEFSTPHRHSNB Satin Brass Finish



Also available in Right Hand version



Includes World's Strongest Fastener®



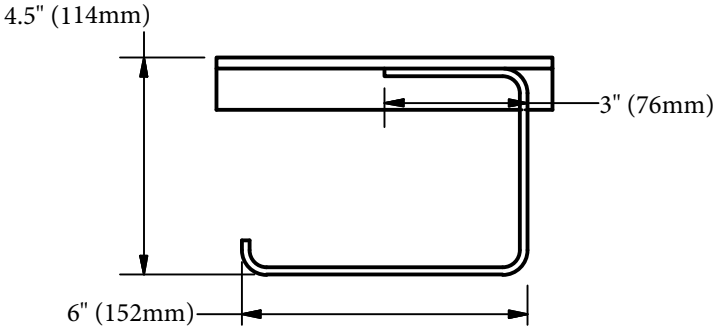
Features:

- Beauty, Functionality & Durability
- Unparalleled Strength when Installed with WINGITS® Fasteners - Included
- Available in Polished, Satin, Polished Brass or Satin Brass Finishes

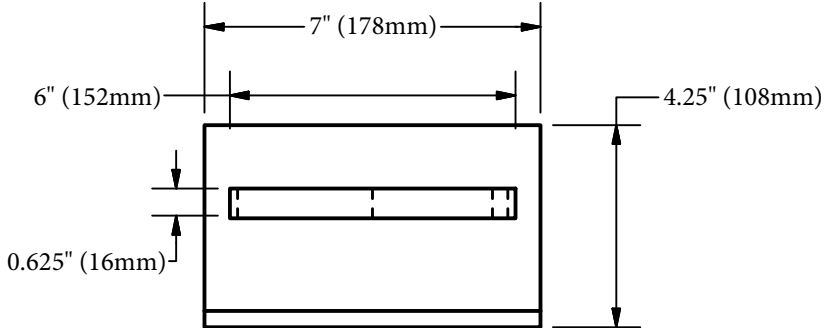


MECHANICAL DATA
Length: 7" (178mm)
Height: 4.5" (114mm)
Depth: 4.25" (108mm)
COMPOSITION
18-8 (304) Stainless Steel
INSTALLATION
Includes WINGITS® Fasteners for hollow-wall construction. Includes 3M® VHB Waterproof Tape.
RECOMMENDED INTEGRATION
Install with WINGITS® Fasteners (included) for Structural Waterproof Installation into hollow walls. WINGITS® INFINITE Elegance™ design is available in all Bath Accessories.

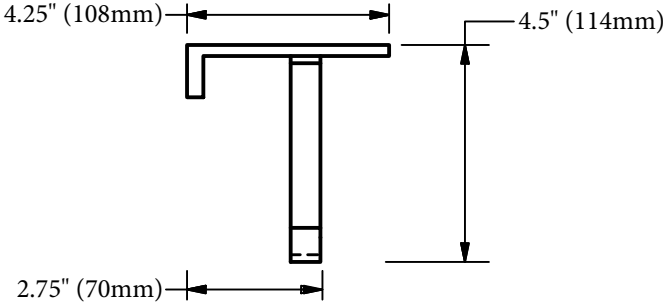
Front



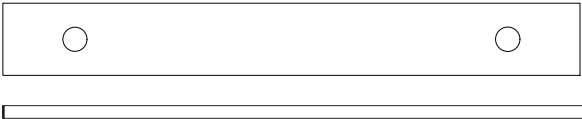
Bottom



Side



Included Hardware



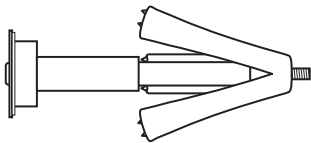
3M® VHB Tape Strips



Allen Wrench (1)



Set Screw (1)



WINGITS® MASTER Anchor (MAW35)
(2)