

WINGITS®

INFINITE Elegance™

GRAND Single Robe Hook with Mitered Edge

Model:

WIEGSRH

Part Numbers:

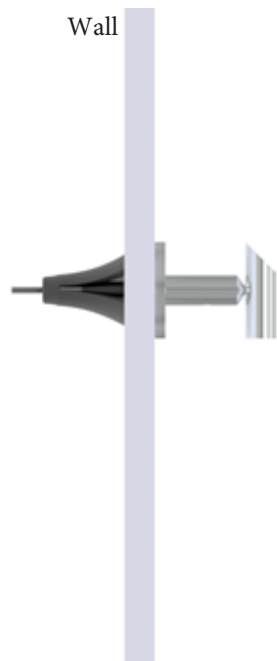
WIEGSRHPSM1
Polished Finish

WIEGSRHSNM1
Satin Finish



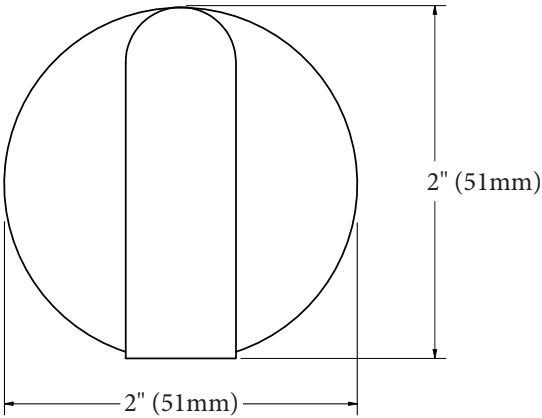
Features:

- Modern design combined with **PATENTED** BridgeBind™ Manufacturing creates the ultimate in bath accessories
- No Lines for Dirt to Collect - Maintenance Free
- Hand Polished Stainless Steel

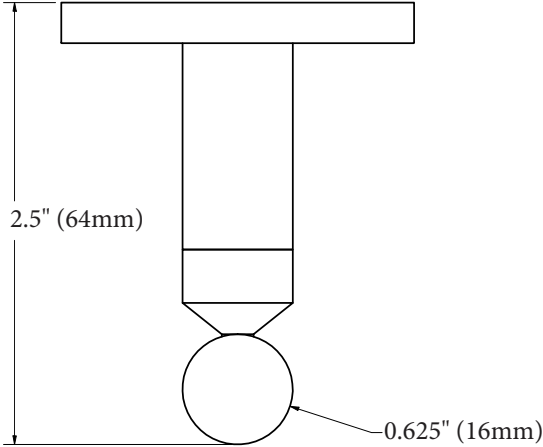


MECHANICAL DATA
Length: 2" (51mm)
Depth: 2.5" (64mm)
Height: 2" (51mm)
Tube Diameter: 0.625" (16mm)
COMPOSITION
18-8 (304) Stainless Steel
INSTALLATION
Includes Stainless Steel Screws to Install into Adequate Structural Blocking . Includes 3M® VHB Waterproof Tape. Can Be Installed with WINGITS® Fasteners when blocking is not available.
RECOMMENDED INTEGRATION
PROPER INSTALLATION REQUIRES use of 3M® VHB Waterproof Tape to stop rotation and MUST be installed into Adequate Structural Blocking or with optional WINGITS® Fasteners. WINGITS® INFINITE™ design is available in all Bath Accessories.

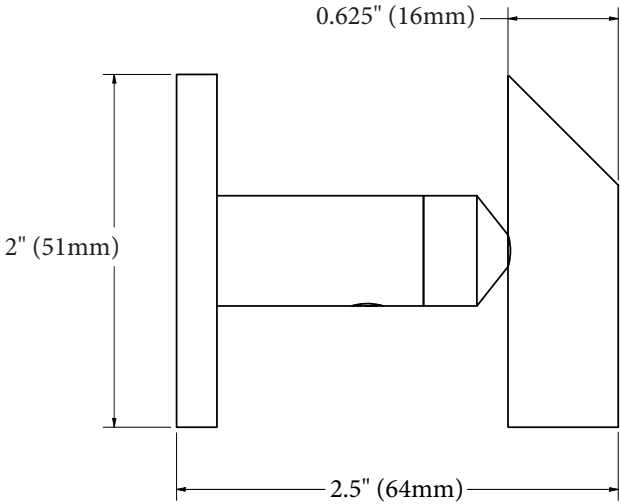
Front



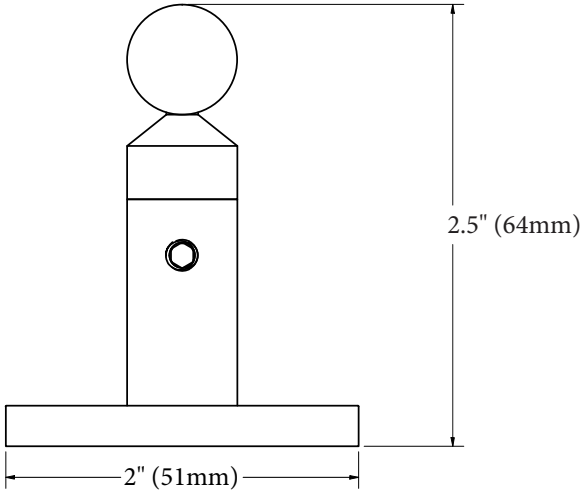
Top



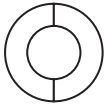
Side



Bottom



Included Hardware



3M® Waterproof Tape (1)



Allen Wrench (1)

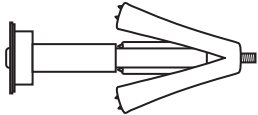


Large S/S Screw (1)



Set Screw (1)

**Optional Hardware
(Sold Separately)**



WINGITS® MASTER Anchor™ (MAW35)
(1)