

WINGITS®

INFINITE Transitional™

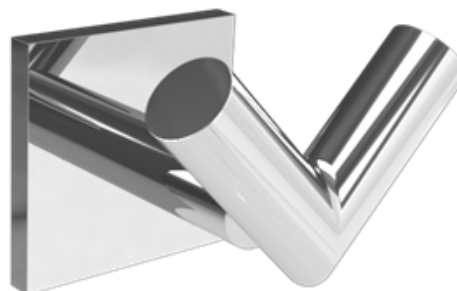
Model:
WITGDRH

GRAND Double Robe Hook

Part Numbers:

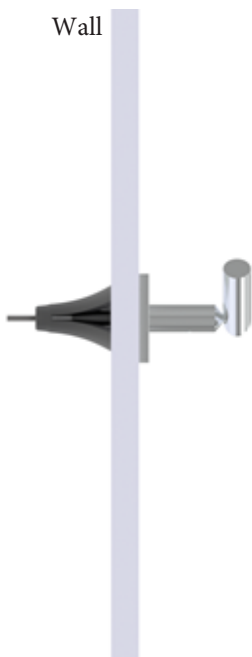
WITGDRHPS
Polished Finish

WITGDRHSN
Satin Finish



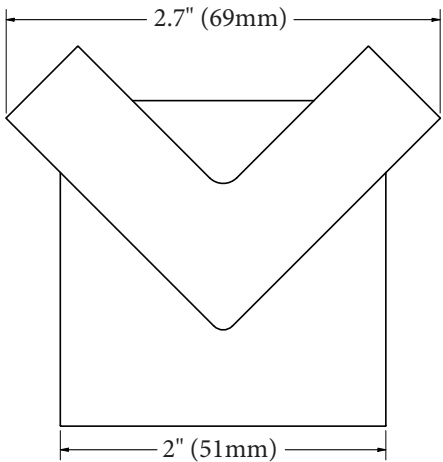
Features:

- Modern design combined with **PATENTED** BridgeBind™ Manufacturing creates the ultimate in bath accessories
- No Lines for Dirt to Collect - Maintenance Free
- Hand Polished Stainless Steel

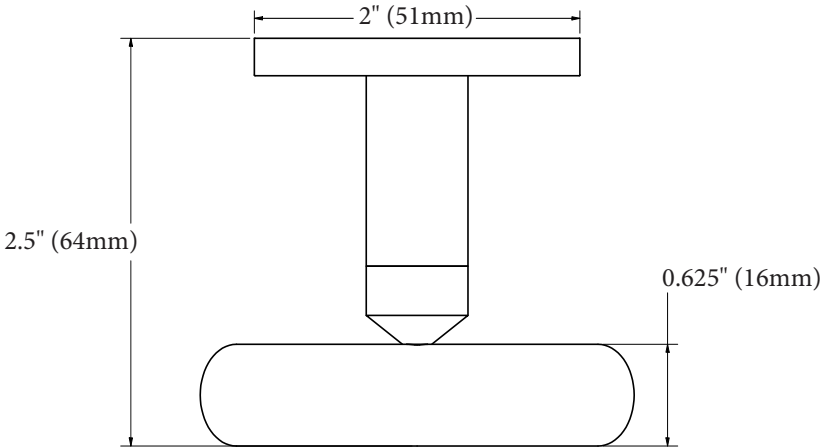


MECHANICAL DATA
Length: 2.7" (69mm) Depth: 2.5" (64mm) Height: 2.25" (57mm) Tube Diameter: 0.625" (16mm)
COMPOSITION
18-8 (304) Stainless Steel
INSTALLATION
Includes Stainless Steel Screws to Install into Adequate Structural Blocking . Includes 3M® VHB Waterproof Tape. Can Be Installed with WINGITS® Fasteners when blocking is not available.
RECOMMENDED INTEGRATION
PROPER INSTALLATION REQUIRES use of 3M® VHB Waterproof Tape to stop rotation and MUST be installed into Adequate Structural Blocking or with optional WINGITS® Fasteners. WINGITS® INFINITE™ design is available in all Bath Accessories.

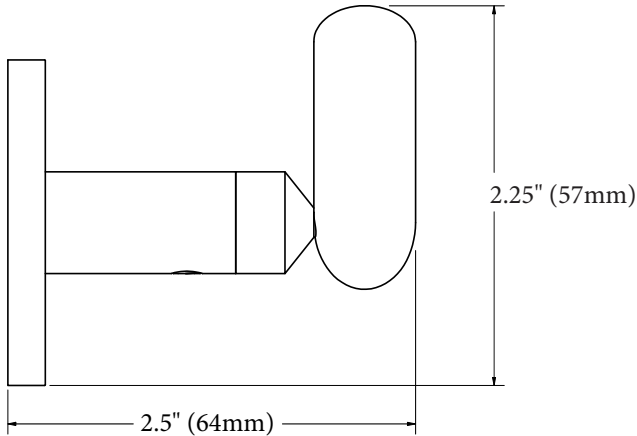
Front



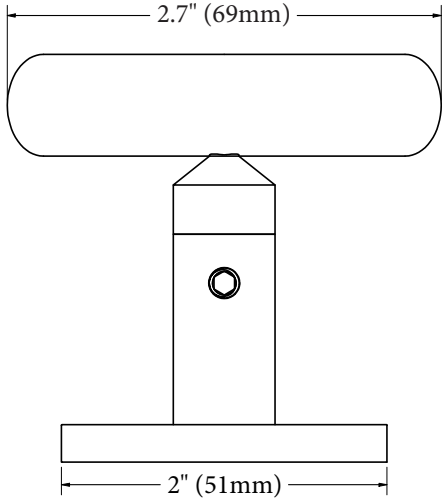
Top



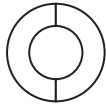
Side



Bottom



Included Hardware



3M[®] Waterproof Tape (1)



Allen Wrench (1)

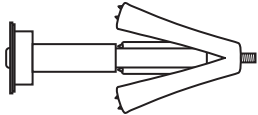


Large S/S Screw (1)



Set Screw (1)

**Optional Hardware
(Sold Separately)**



WINGITS[®] MASTER Anchor™ (MAW35)
(1)