

WINGITS®

INFINITE Transitional™ Horizontal/Vertical Toilet Paper Holder

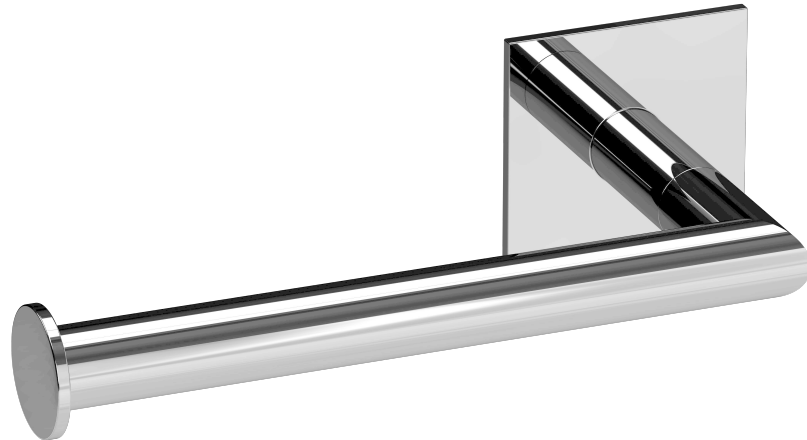
Model:

WITHVTPH

Part Numbers:

WITHVTPHPS
Polished Finish

WITHVTPHSN
Satin Finish



Features:

- Fully HeliArc® welded Structural Stainless Steel sculpted for Beauty, Function & Durability
- Minimal, Elegant Design
- Hand Polished Stainless Steel



MECHANICAL DATA

Length/Height: 6.75" (171mm)
Height: 2" (51mm)
Depth: 3" (76mm)
Tube Diameter: 0.625" (16mm)

COMPOSITION

18-8 (304) Stainless Steel

INSTALLATION

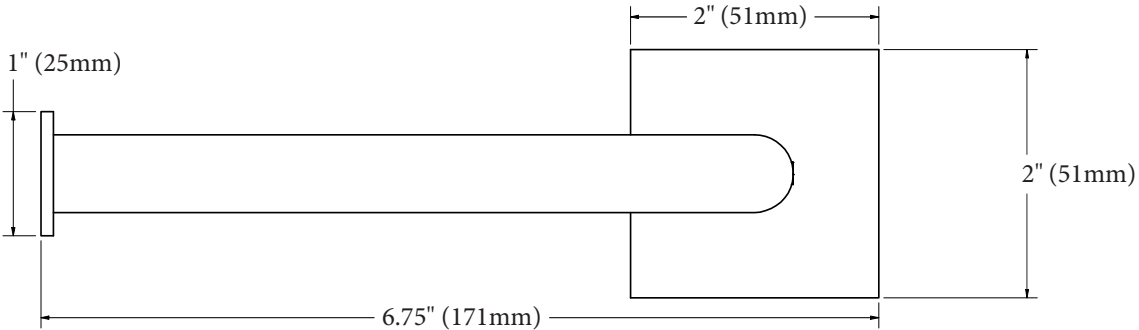
Includes Stainless Steel Screws to Install into **Adequate Structural Blocking**.
 Includes 3M® VHB Waterproof Tape.
 Can Be Installed with WINGITS® Fasteners when blocking is not available.

RECOMMENDED INTEGRATION

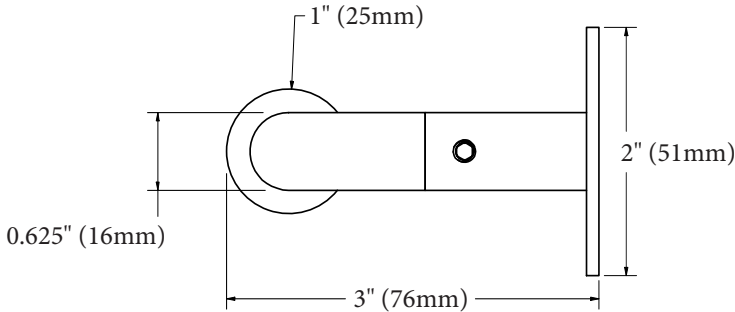
PROPER INSTALLATION REQUIRES use of 3M® VHB Waterproof Tape to stop rotation and **MUST** be installed into **Adequate Structural Blocking** or with optional WINGITS® Fasteners.

WINGITS® INFINITE™ design is available in all Bath Accessories.

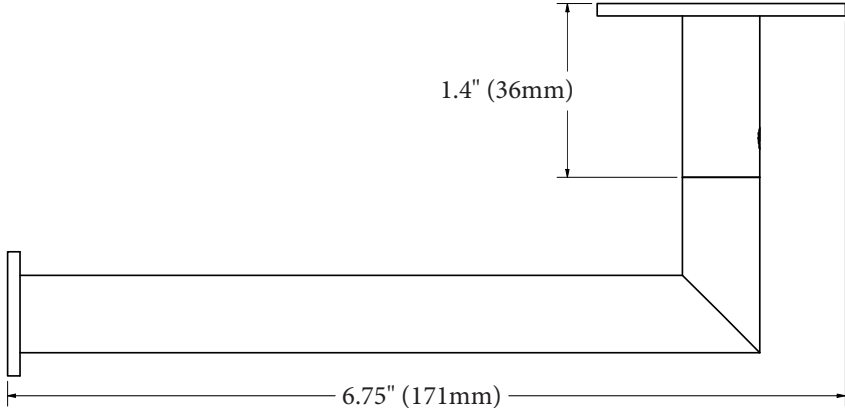
Front



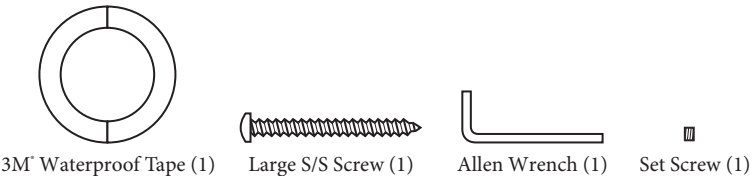
Side



Top



Included Hardware



**Optional Hardware
(Sold Separately)**

