

WINGITS®

INFINITE Squared™

Stainless Steel Double Robe Hook

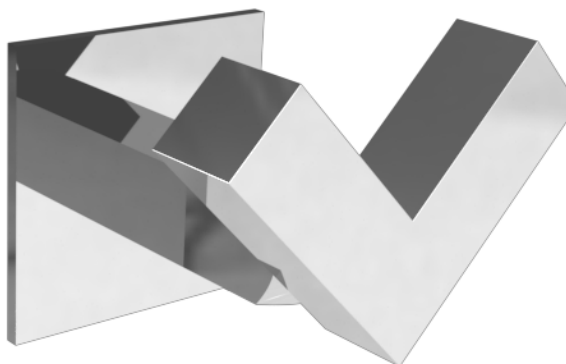
Model:

WITSQDRH

Part Numbers:

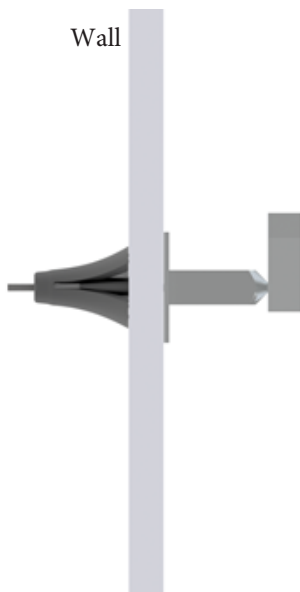
WITSQDRHPS
Polished Finish

WITSQDRHSN
Satin Finish



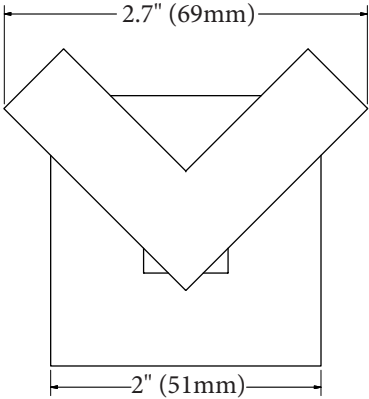
Features:

- Hand Polished Stainless Steel
- Beauty, Functionality & Durability
- No Lines for Dirt to Collect - Maintenance Free

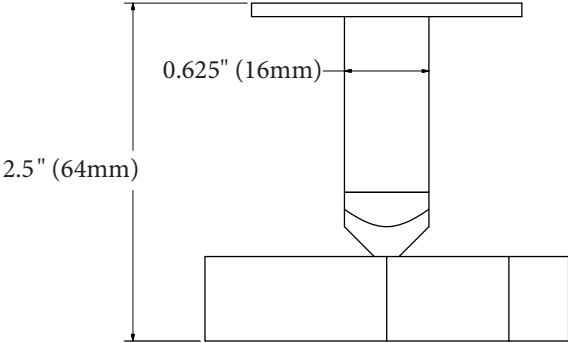


MECHANICAL DATA
Length: 2.7" (69mm) Depth: 2.5" (64mm) Height: 2.35" (60mm)
COMPOSITION
18-8 (304) Stainless Steel
INSTALLATION
Includes Stainless Steel Screw to Install into Adequate Structural Blocking . Includes 3M® VHB Waterproof Tape. Can Be Installed with WINGITS® Fasteners when blocking is not available.
RECOMMENDED INTEGRATION
PROPER INSTALLATION REQUIRES use of 3M® VHB Waterproof Tape to stop rotation and MUST be installed into Adequate Structural Blocking or with optional WINGITS® Fasteners. WINGITS® INFINITE™ design is available in all Bath Accessories.

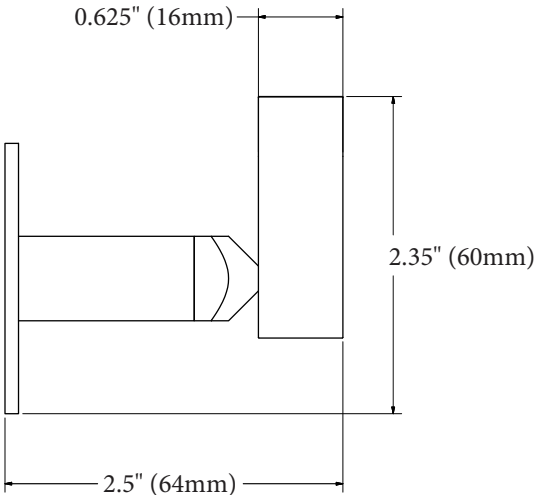
Front



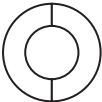
Top



Side



Included Hardware



3M[®] Waterproof Tape (1)



Allen Wrench (1)

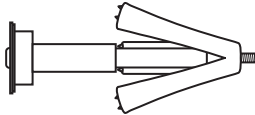


Large S/S Screw (1)



Set Screw (1)

Optional Hardware
(Sold Separately)



WINGITS[®] MASTER Anchor™ (MAW35)
(1)