

# WINGITS®

## INFINITE Squared™

### Double Toilet Paper Holder

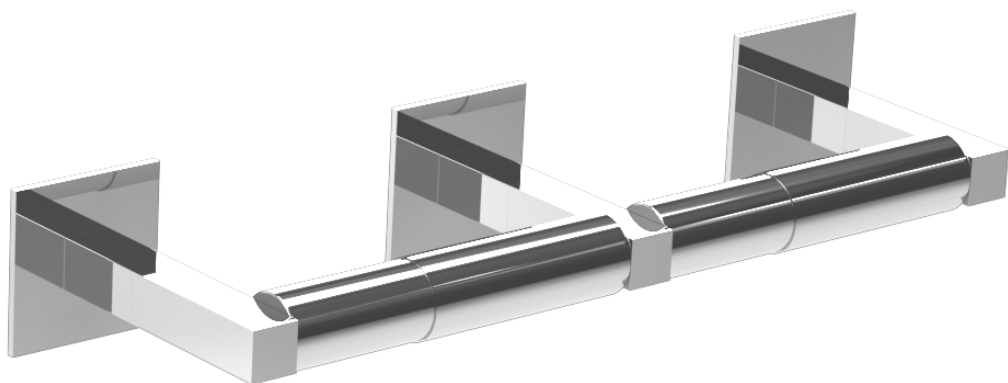
Model:

# WITSQDTPH

**Part Numbers:**

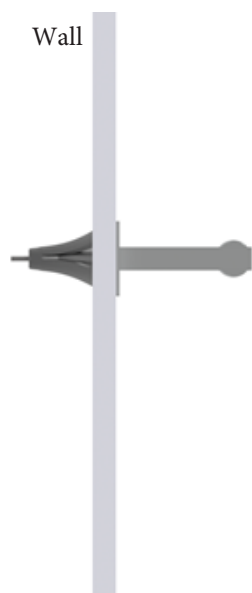
WITSQDTPHPS  
Polished Finish

WITSQDTPHSN  
Satin Finish



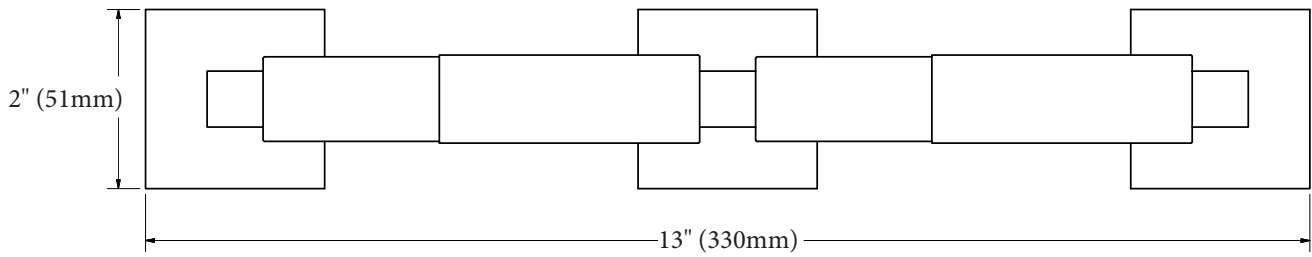
**Features:**

- Hand Polished Stainless Steel
- Beauty, Functionality & Durability
- Minimal, Elegant Design

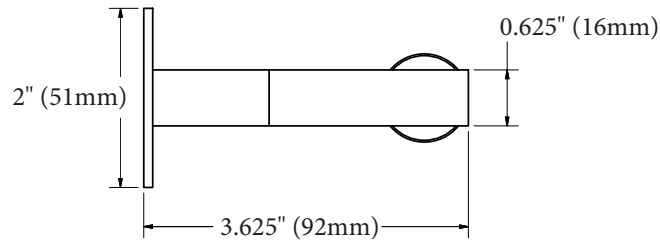


<b>MECHANICAL DATA</b>
Length: 13" (330mm)
Height: 2" (51mm)
Depth: 3.625" (92mm)
<b>COMPOSITION</b>
18-8 (304) Stainless Steel
<b>INSTALLATION</b>
Includes Stainless Steel Screw to Install into <b>Adequate Structural Blocking</b> . Includes 3M® VHB Waterproof Tape. Can Be Installed with WINGITS® Fasteners when blocking is not available.
<b>RECOMMENDED INTEGRATION</b>
Install into <b>Adequate Structural Blocking</b> or with WINGITS® Fasteners. WINGITS® INFINITE™ design is available in all Bath Accessories.

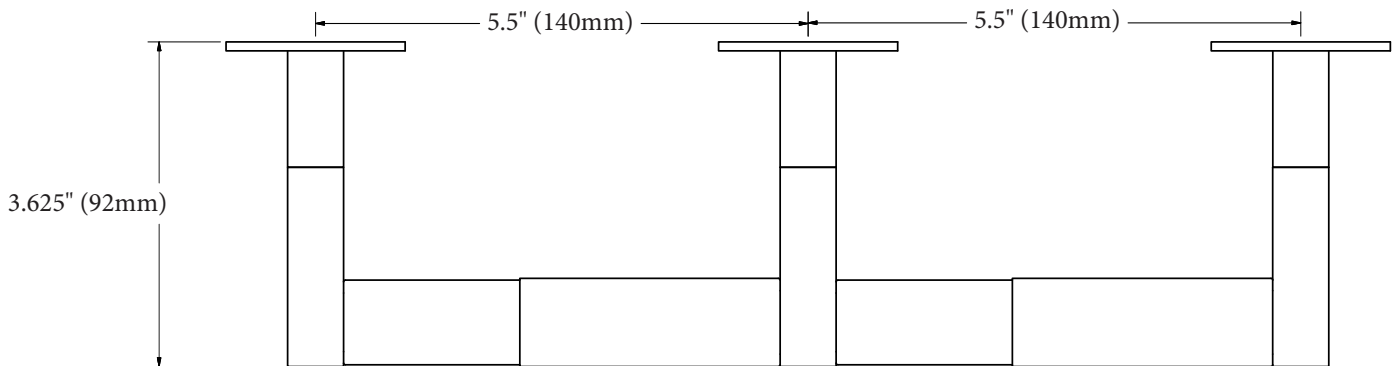
**Front**



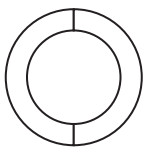
**Side**



**Top**



**Included Hardware**



3M<sup>®</sup> Waterproof Tape (3)



Large S/S Screw (3)

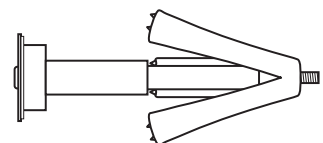


Allen Wrench (1)



Set Screw (3)

**Optional Hardware  
(Sold Separately)**



WINGITS<sup>®</sup> MASTER Anchor (MAW35)  
(3)