

WINGITS®

INFINITE Squared™

Stainless Steel Towel Rack

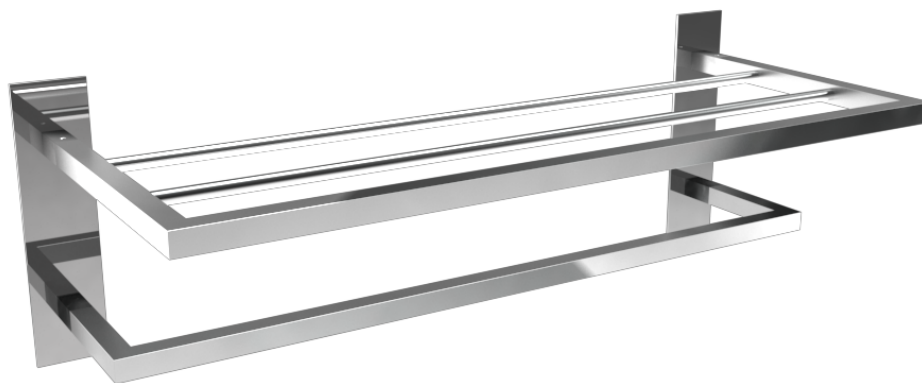
Model:

WITSQTR

Part Numbers:

WITSQTRPS18 **WITSQTRSN18**
 18" Polished Finish 18" Satin Finish

WITSQTRPS24 **WITSQTRSN24**
 24" Polished Finish 24" Satin Finish

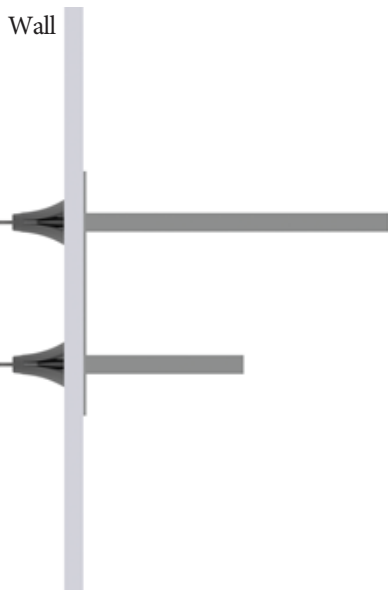


Includes World's Strongest Fastener®



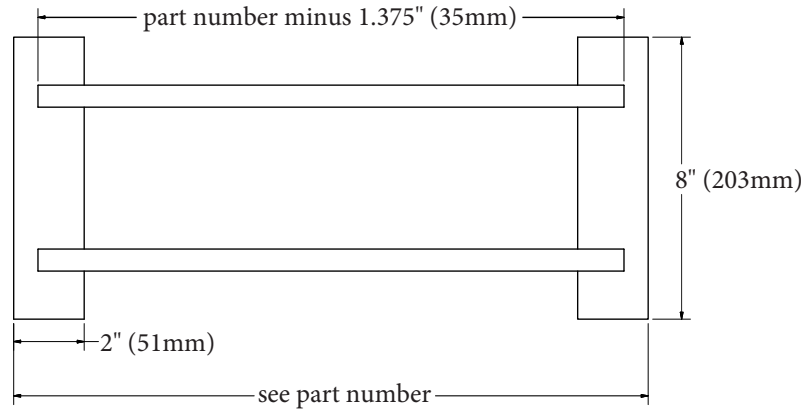
Features:

- Hand Polished Stainless Steel
- Beauty, Functionality & Durability
- Minimal, Elegant Design

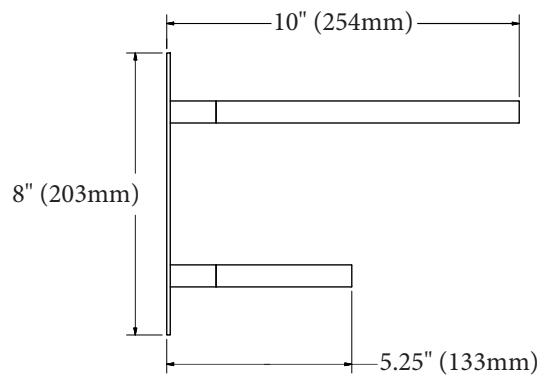


MECHANICAL DATA
Lengths: 18" (457mm); 24" (610mm) Height: 8" (203mm) Depth: 10" (254mm)
COMPOSITION
18-8 (304) Stainless Steel
INSTALLATION
Includes Stainless Steel Screw to Install into Adequate Structural Blocking . Includes 3M® VHB Waterproof Tape. Can Be Installed with WINGITS® Fasteners when blocking is not available.
RECOMMENDED INTEGRATION
Install into Adequate Structural Blocking or with WINGITS® Fasteners. WINGITS® INFINITE™ design is available in all Bath Accessories.

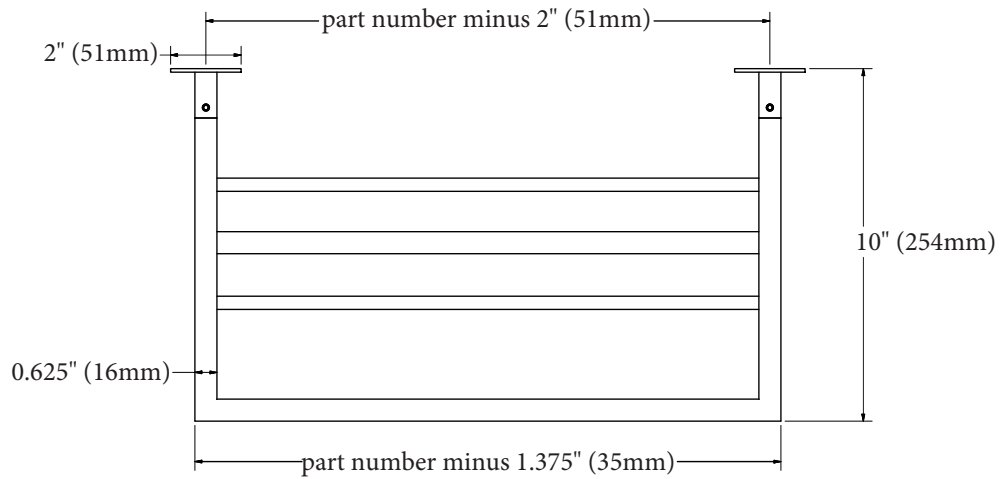
Front



Side



Top



Included Hardware

