

# WINGITS®

## INFINITE Transitional™

### Single Robe Hook with Mitered Edge

Model:

# WITSRH

Part Numbers:

WITSRHPSM1  
Polished Finish

WITSRHSNM1  
Satin Finish



**Features:**

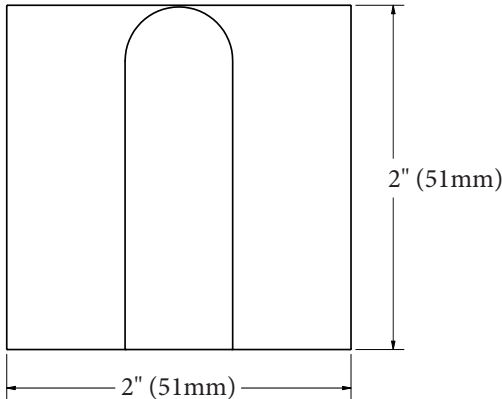
- Fully HeliArc® welded Structural Stainless Steel sculpted for Beauty, Function & Durability
- No Lines for Dirt to Collect - Maintenance Free
- Hand Polished Stainless Steel

Wall

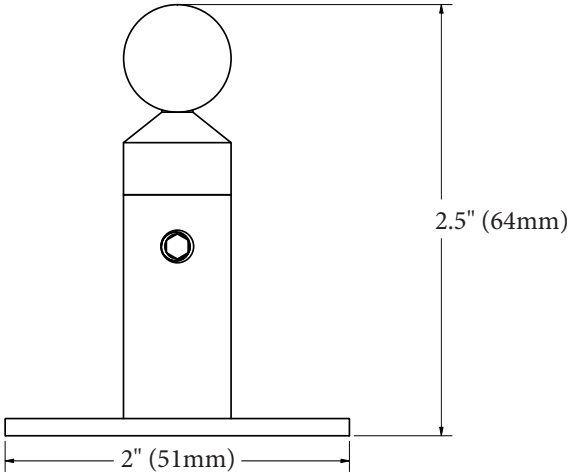


<b>MECHANICAL DATA</b>
Length: 2" (51mm)
Depth: 2.5" (64mm)
Height: 2" (51mm)
Tube Diameter: 0.625" (16mm)
<b>COMPOSITION</b>
18-8 (304) Stainless Steel
<b>INSTALLATION</b>
Includes Stainless Steel Screws to Install into <b>Adequate Structural Blocking</b> . Includes 3M® VHB Waterproof Tape. Can Be Installed with WINGITS® Fasteners when blocking is not available.
<b>RECOMMENDED INTEGRATION</b>
<b>PROPER INSTALLATION REQUIRES</b> use of 3M® VHB Waterproof Tape to stop rotation and <b>MUST</b> be installed into <b>Adequate Structural Blocking</b> or with optional WINGITS® Fasteners. WINGITS® INFINITE™ design is available in all Bath Accessories.

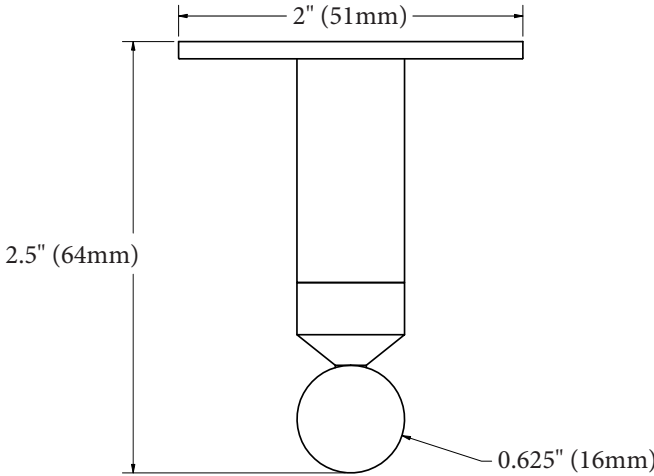
Front



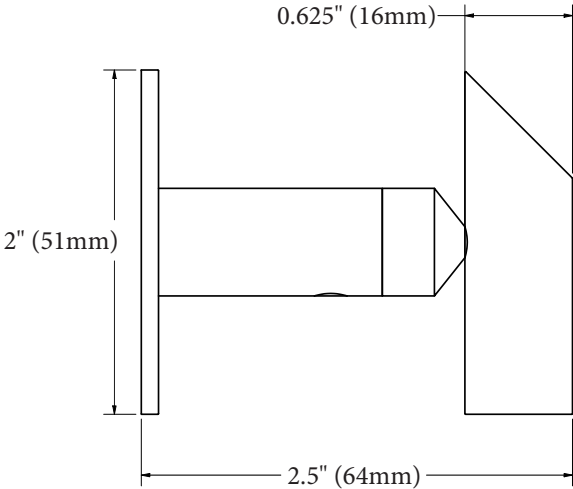
Bottom



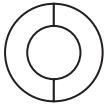
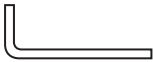


Top



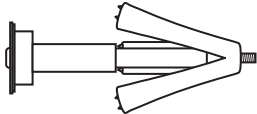
Side



Included Hardware

-  3M<sup>®</sup> Waterproof Tape (1)
-  Allen Wrench (1)
-  Large S/S Screw (1)
-  Set Screw (1)

Optional Hardware  
(Sold Separately)

-  WINGITS<sup>®</sup> MASTER Anchor™ (MAW35)  
(1)