

WINGITS®

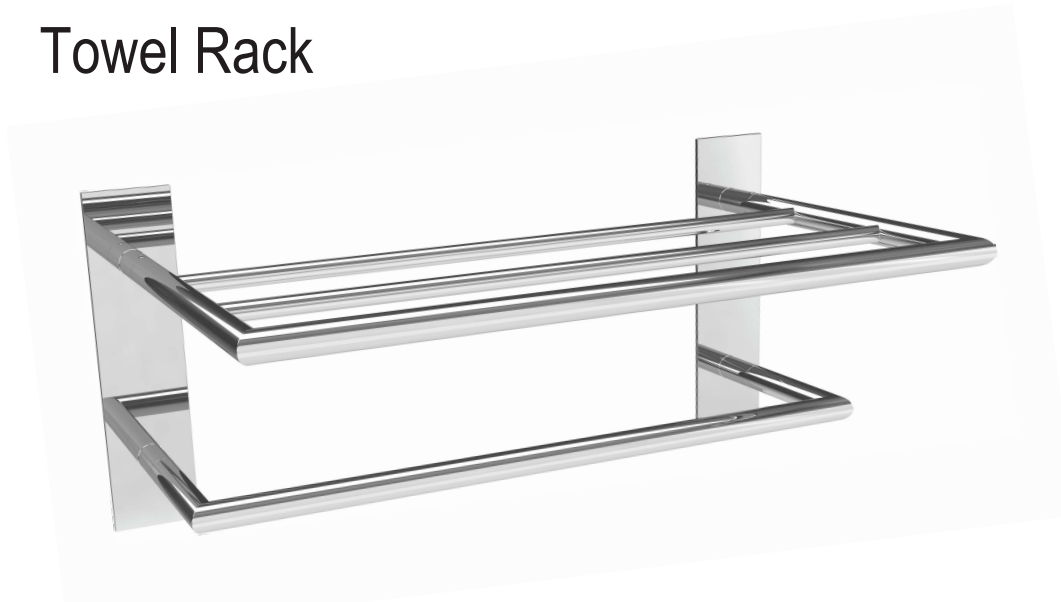
INFINITE Transitional™ Towel Rack

Model:
WITTR

Part Numbers:

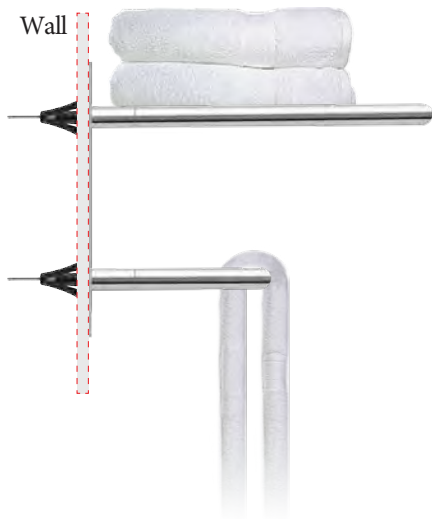
WITTRPS18 18" Polished Finish	WITTRSN18 18" Satin Finish
WITTRPS24 24" Polished Finish	WITTRSN24 24" Satin Finish

Includes World's
Strongest Fastener®



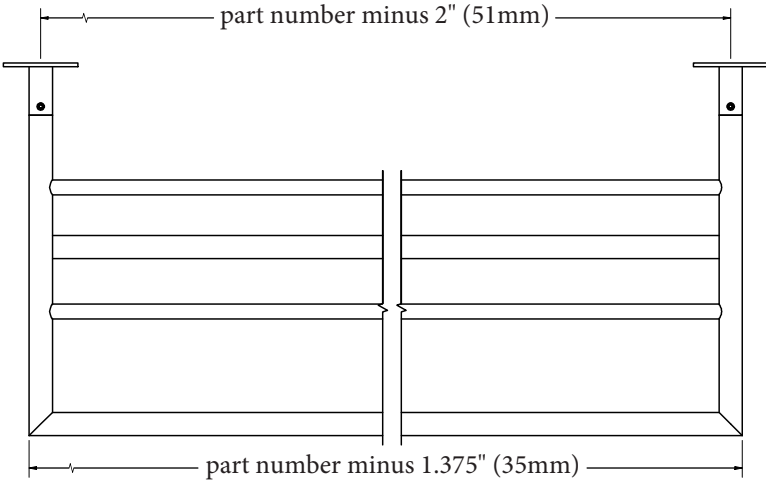
Features:

- Hand Polished Stainless Steel
- Beauty, Functionality & Durability
- Unparalleled Strength when Installed with WINGITS® Fasteners - Included

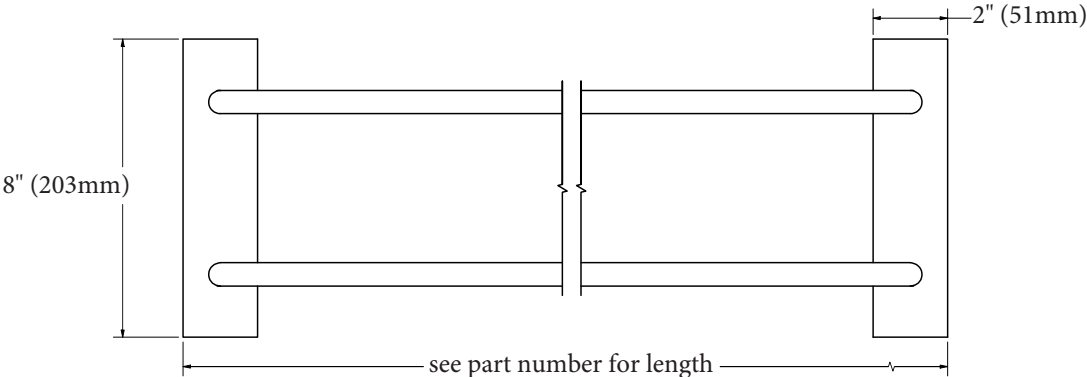


MECHANICAL DATA
Length: see part number
Height: 8" (203mm)
Depth: 10" (254mm)
COMPOSITION
18-8 (304) Stainless Steel
INSTALLATION
Includes WINGITS® Fasteners for hollow-wall construction. Includes 3M® VHB Waterproof Tape.
RECOMMENDED INTEGRATION
Install with WINGITS® Fasteners (included) for Structural Waterproof Installation into hollow walls. WINGITS® INFINITE™ design is available in all Bath Accessories.

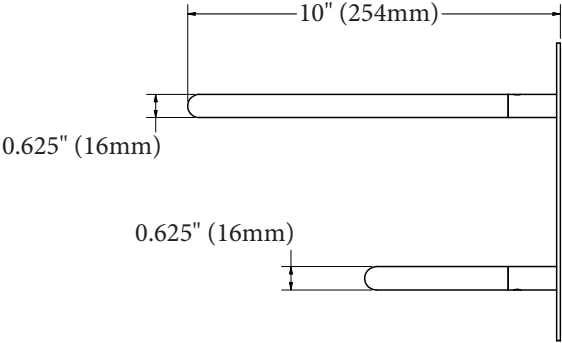
Top



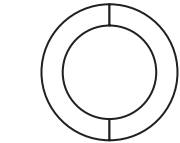
Front



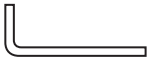
Side



Included Hardware



3M[®] Waterproof Tape (4)



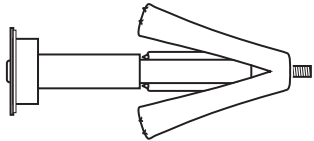
Allen Wrench (1)



Set Screw (4)



S/S Screw for Blocking (4)



WINGITS[®] MASTER Anchor (MAW35)
(4)