

WINGITS®

LINEAR Transitional™ Toilet Paper Holder with Spindle

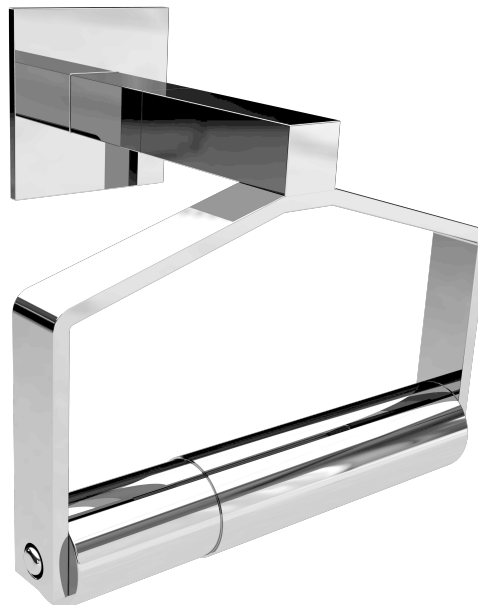
Model:

WLTSTPH

Part Numbers:

WLTSTPHPS
Polished Finish

WLTSTPHSN
Satin Finish



Features:

- Stainless Steel Carved, Welded & Polished
- Structural Toilet Paper Holder with Spindle
- LINEAR Design - Ultimate Durability & Low Maintenance

MECHANICAL DATA

Length: 5" (127mm)

Height: 4.5" (115mm)

Depth: 3.75" (95mm)

COMPOSITION

18-8 (304) Stainless Steel

INSTALLATION

Includes Stainless Steel Screws to Install into **Adequate Structural Blocking**.

Includes 3M® VHB Waterproof Tape.

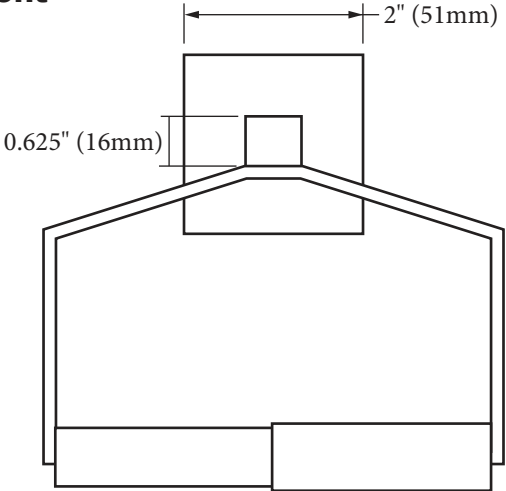
Can Be Installed with WINGITS® Fasteners when blocking is not available.

RECOMMENDED INTEGRATION

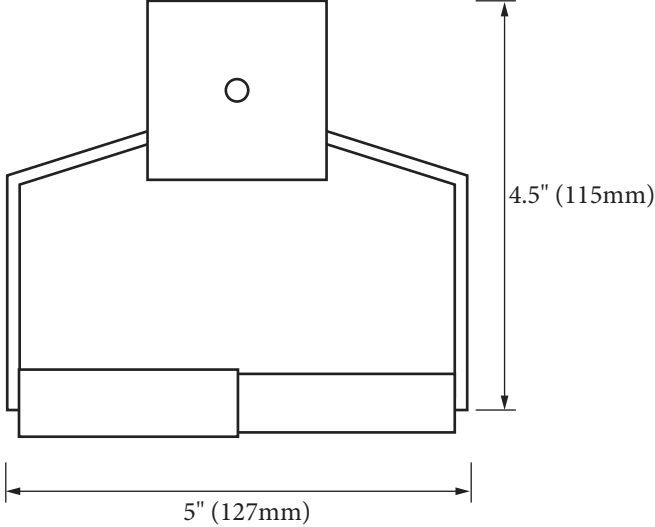
PROPER INSTALLATION REQUIRES use of 3M® VHB Waterproof Tape to stop rotation and **MUST** be installed into **Adequate Structural Blocking** or with optional WINGITS® Fasteners.

WINGITS® LINEAR™ design is available in all Bath Accessories.

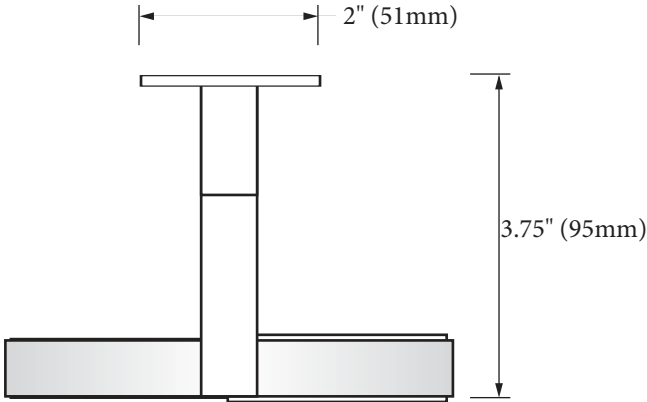
Front



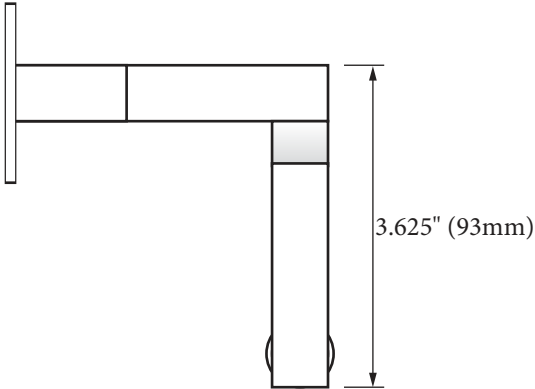
Back



Top

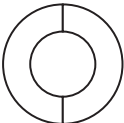

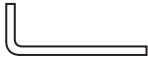



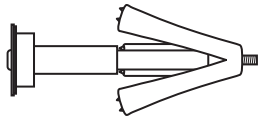
Side



Included Hardware

Optional Hardware
(Sold Separately)

-  3M[®] Waterproof Tape (1)
-  2.5" S/S Screw (1)
-  Allen Wrench (1)
-  Set Screw (1)

-  WINGITS[®] MASTER Anchor (MAW35) (1)