

WINGITS®

MODERN Elegance™

Balance Bar Toilet Paper Holder

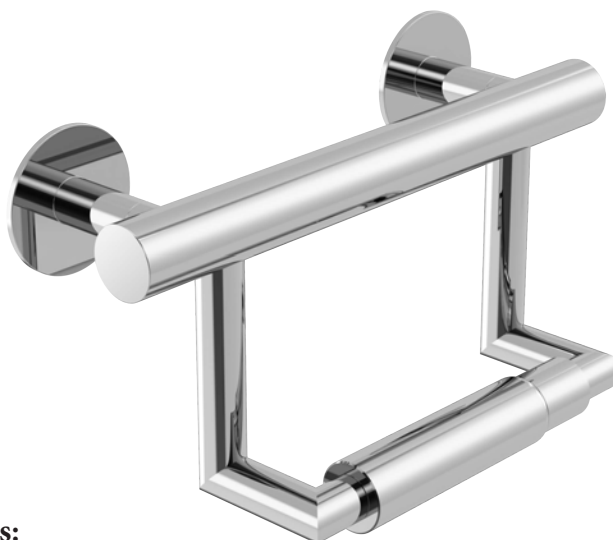
Model:

WME4BB9TPH

Part Numbers:

WME4BB9TPHPS
Polished Finish

WME4BB9TPHSN
Satin Finish



Features:

- Modern design combined with **PATENTED BridgeBind™** Manufacturing creates the ultimate in bath accessories
- **Install into Adequate Structural Blocking or with WINGITS® Patented Designer Grab Bar Fasteners GBWME40 (Rated up to 600lb in drywall with tile)**
- Hand Polished Stainless Steel
- Lifetime Stainless Steel Industrial Spindle
- Balance Bar 9" x 1" (other sizing available)



MECHANICAL DATA

Length: 9" (229mm)
Depth: 4.25" (108mm)
Height: 4.9" (125mm)

COMPOSITION

18-8 (304) Stainless Steel (s/s)

INSTALLATION

Includes Stainless Steel Screws to Install into **Adequate Structural Blocking**.
Includes 3M® VHB Waterproof Tape.
Can Be Installed with WINGITS® Fasteners when blocking is not available.

RECOMMENDED INTEGRATION

Install into **Adequate Structural Blocking** or with WINGITS® Fasteners.
WINGITS® MODERN™ design is available in all Bath Accessories.

*Please call customer service for a complete list of approved wall substrates.

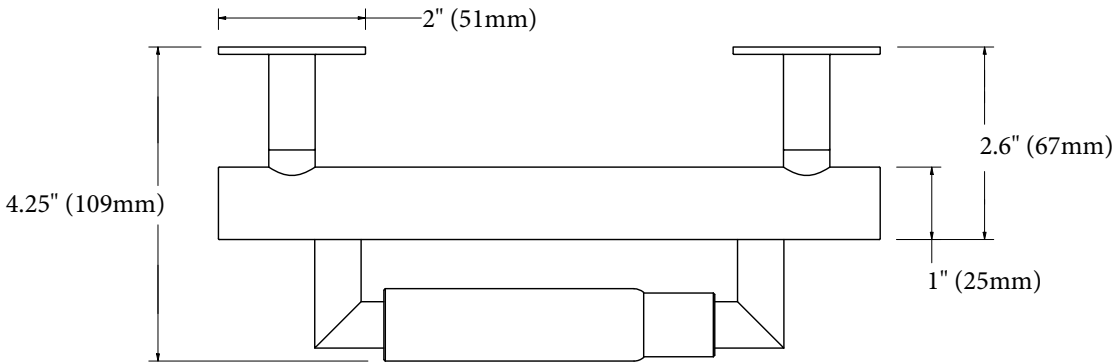
PATENTED

BridgeBind™ Technology

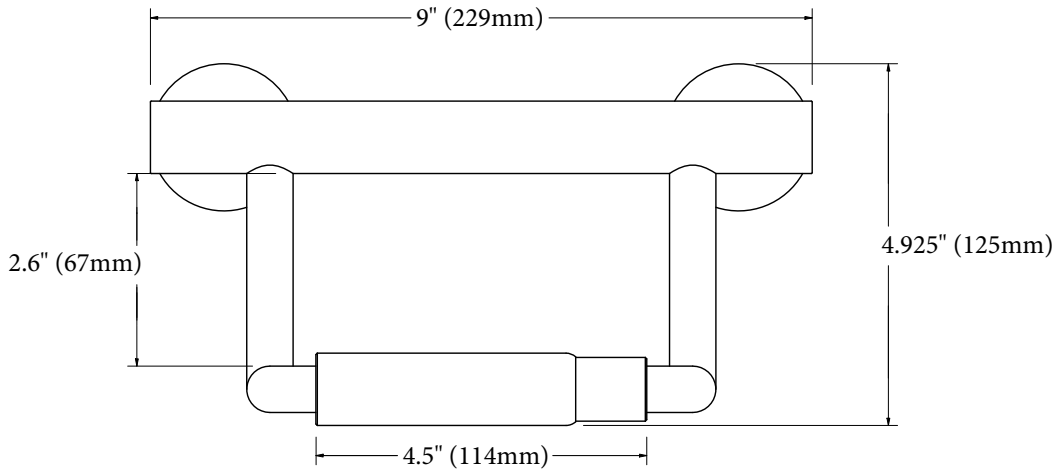


A steel dowel is expertly embedded in a stainless steel tube then arc welded to the tube's far side for the perfect structural synthesis

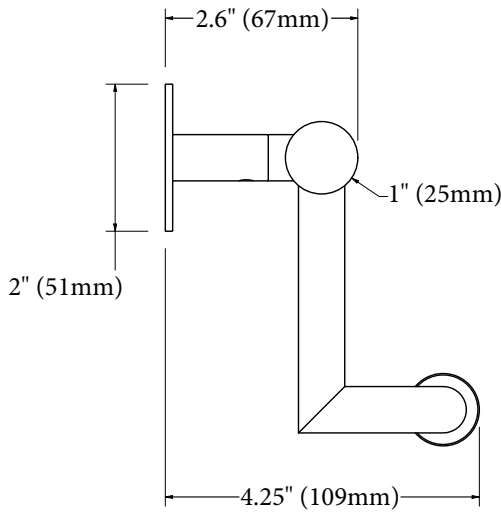
Top



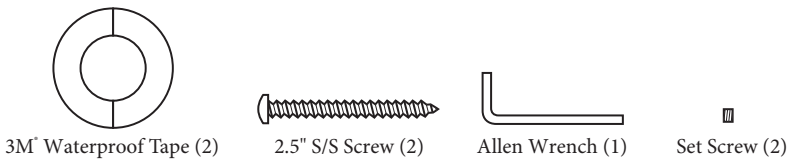
Front



Side



Included Hardware



**Optional Hardware
(Sold Separately)**

