

# WINGITS®

## MODERN Elegance™

### Euro Toilet Paper Holder

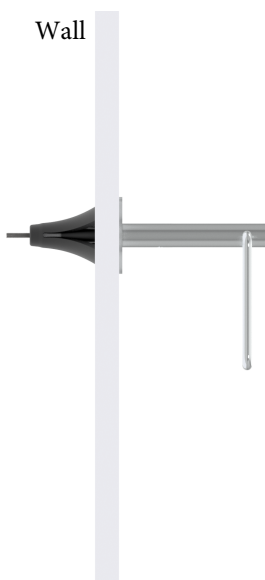
Model:

# WMEEUTPH

Part Numbers:

WMEEUTPHPS  
Polished Finish

WMEEUTPHSN  
Satin Finish



**Features:**

- Modern design combined with **PATENTED BridgeBind™** Manufacturing creates the ultimate in bath accessories
- Minimal, Elegant Design
- Hand Polished Stainless Steel

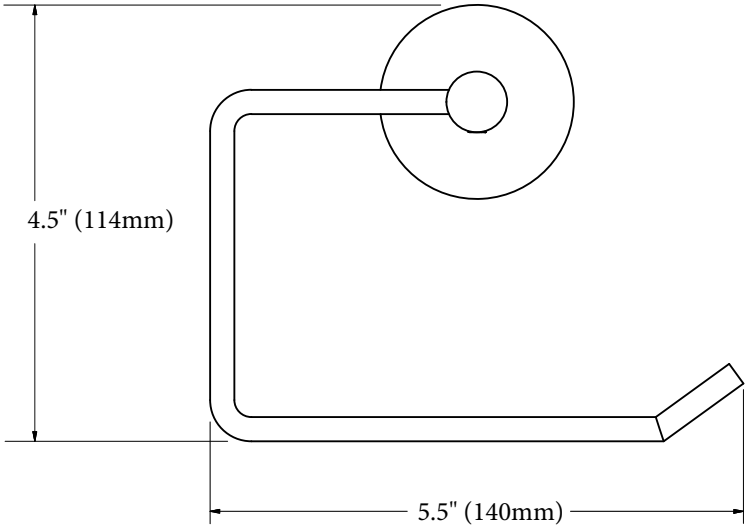
<b>MECHANICAL DATA</b>
Length: 5.5" (140mm) Height: 4.5" (114mm) Depth: 3.8125" (97mm)
<b>COMPOSITION</b>
18-8 (304) Stainless Steel
<b>INSTALLATION</b>
Includes Stainless Steel Screws to Install into <b>Adequate Structural Blocking</b> . Includes 3M® VHB Waterproof Tape. Can Be Installed with WINGITS® Fasteners when blocking is not available.
<b>RECOMMENDED INTEGRATION</b>
<b>PROPER INSTALLATION REQUIRES</b> use of 3M® VHB Waterproof Tape to stop rotation and <b>MUST</b> be installed into <b>Adequate Structural Blocking</b> or with optional WINGITS® Fasteners. WINGITS® MODERN™ design is available in all Bath Accessories.

*PATENTED*  
**BridgeBind™ Technology**

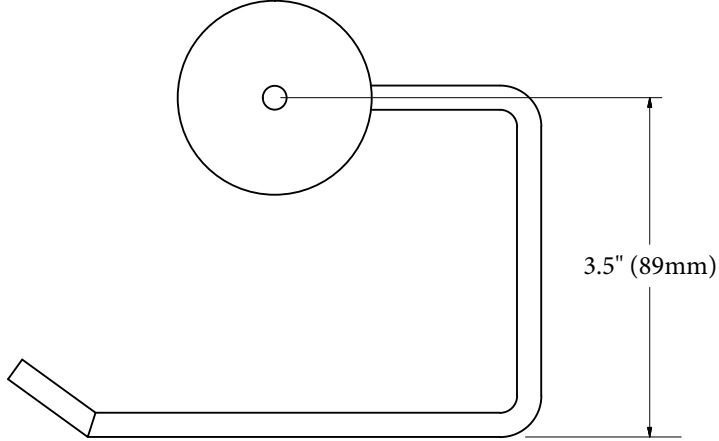


A steel dowel is expertly embedded in a stainless steel tube then arc welded to the tube's far side for the perfect structural synthesis

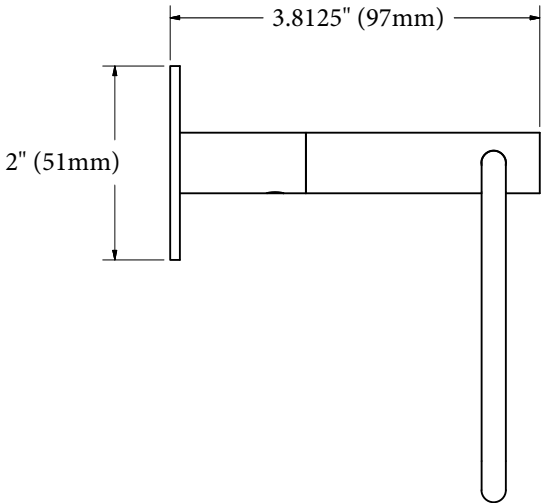
**Front**



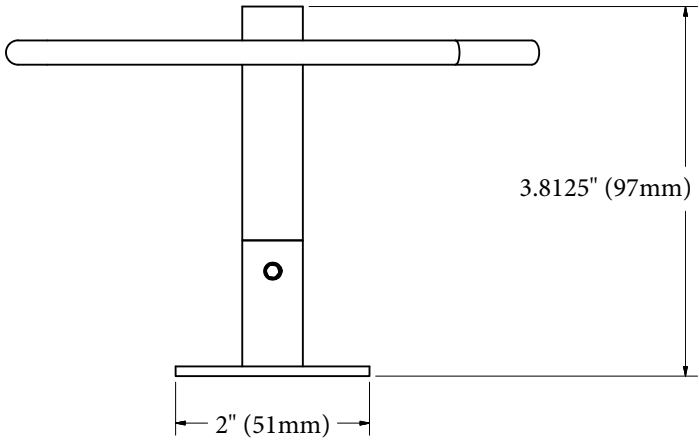
**Back**



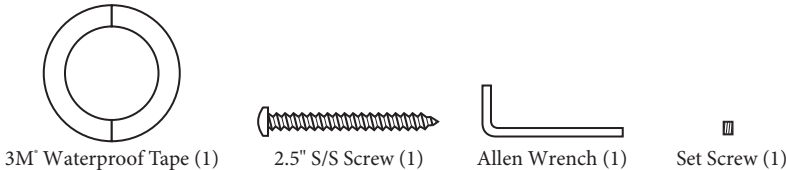
**Side**



**Bottom**



**Included Hardware**



**Optional Hardware  
(Sold Separately)**

