

WINGITS®

MODERN Elegance™

Towel Rack with Hang Bar

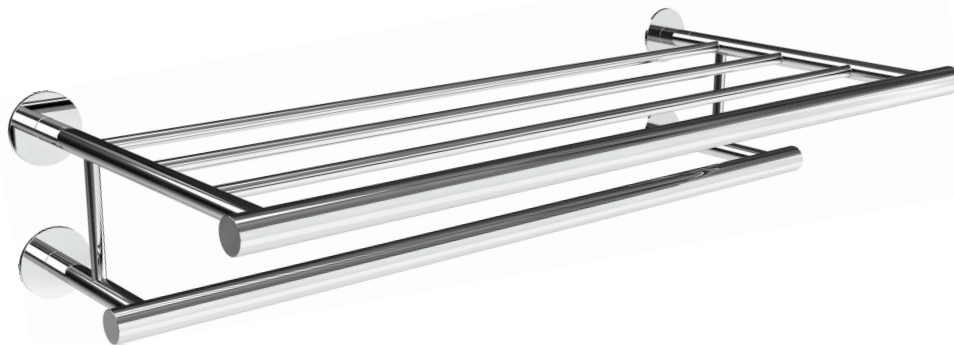
Model:

WMETRHB

Part Numbers:

WMETRHBPS18 **WMETRHSN18**
18" Polished Finish 18" Satin Finish

WMETRHBPS24 **WMETRHSN24**
24" Polished Finish 24" Satin Finish



Includes World's
Strongest Fastener®



Features:

- Modern design combined with **PATENTED** BridgeBind™ Manufacturing creates the ultimate in bath accessories
- Unparalleled Strength
- Hand Polished Stainless Steel

MECHANICAL DATA

Length: see part number

Height: 5.75" (146mm)

Depth: 11.75" (299mm)

COMPOSITION

18-8 (304) Stainless Steel

INSTALLATION

Includes Stainless Steel Screws to Install into Adequate Structural Blocking.

Includes 3M® VHB Waterproof Tape.

Can Be Installed with WINGITS® Fasteners when blocking is not available.

RECOMMENDED INTEGRATION

Install with WINGITS® Fasteners for structural installation into hollow-wall construction. Structural MODERN Elegance™ Rack has a complete line of matching Bath Accessories.

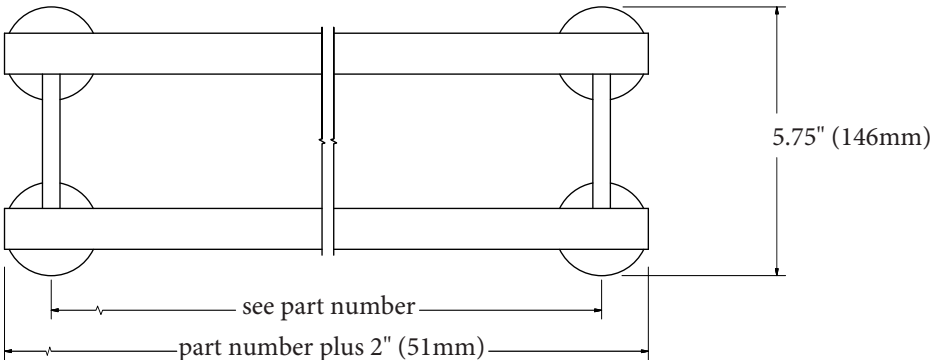
PATENTED

BridgeBind™ Technology

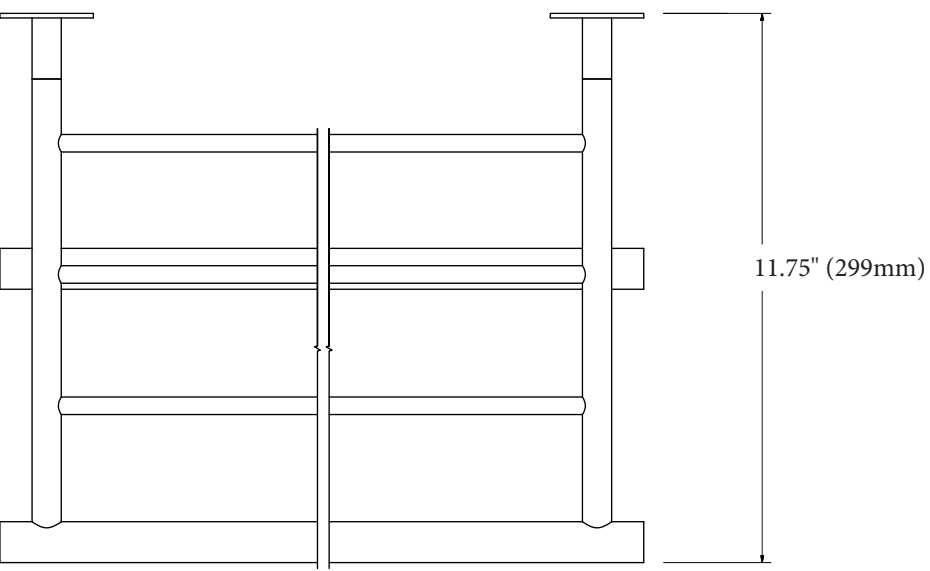


A steel dowel is expertly embedded in a stainless steel tube then arc welded to the tube's far side for the perfect structural synthesis

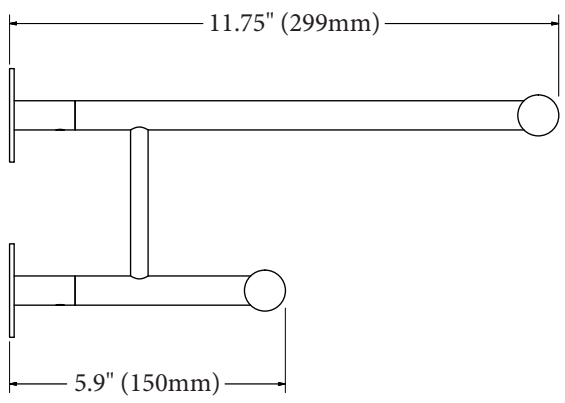
Front



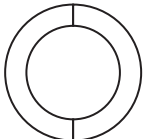

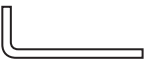

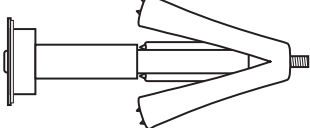
Top



Side



Included Hardware

-  3M[®] Waterproof Tape (4)
-  2.5" S/S Screw (4)
-  Allen Wrench (1)
-  Set Screw (4)
-  WINGITS[®] MASTER Anchor (MAW35) (4)