

WINGITS®

MODERN Elegance™

Stainless Steel Towel Ring

Model:

WMETRING

Part Numbers:

WMETRINGS
Polished Finish

WMETRINGSN
Satin Finish



Features:

- Hand Polished Solid Stainless Steel
- Beauty, Functionality & Durability
- No Lines for Dirt to Collect - Maintenance Free



MECHANICAL DATA

Height: 6.875" (175mm)
Depth: 3.6" (92mm)
Ring Diameter: 6" (152mm)

COMPOSITION

18-8 (304) Stainless Steel

INSTALLATION

Includes Stainless Steel Screw to Install into **Adequate Structural Blocking**.
Includes 3M® VHB Waterproof Tape.
Can Be Installed with WINGITS® Fasteners when blocking is not available.

RECOMMENDED INTEGRATION

PROPER INSTALLATION REQUIRES use of 3M® VHB Waterproof Tape to stop rotation and **MUST** be installed into **Adequate Structural Blocking** or with optional WINGITS® Fasteners.

WINGITS® MODERN™ design is available in all Bath Accessories.

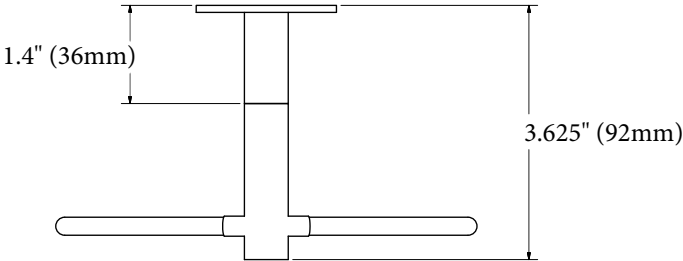
PATENTED

BridgeBind™ Technology

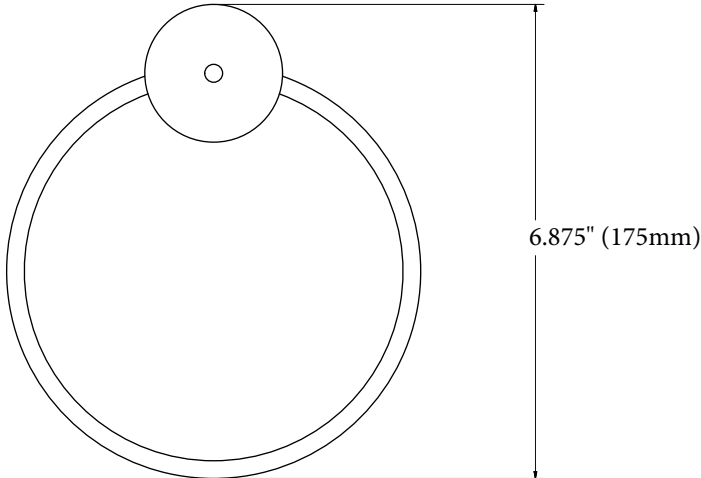


A steel dowel is expertly embedded in a stainless steel tube then arc welded to the tube's far side for the perfect structural synthesis

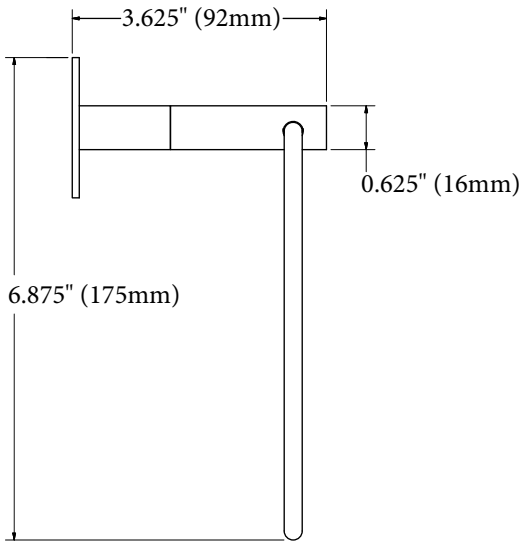
Top



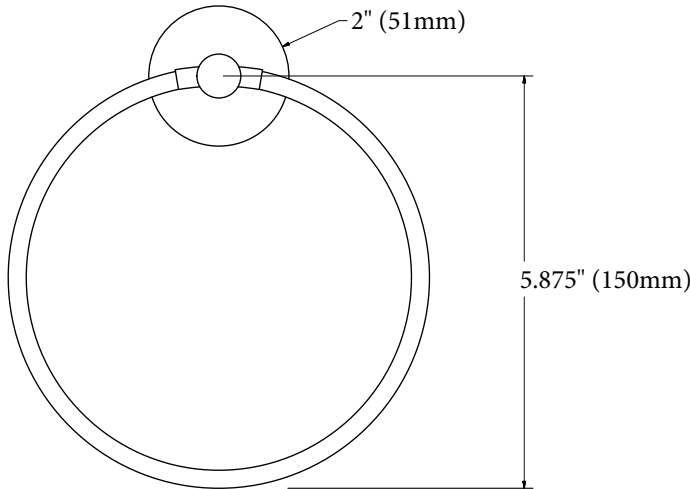
Back



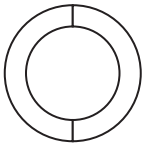
Side



Front



Included Hardware



3M[®] Waterproof Tape (1)



Large S/S Screw (1)

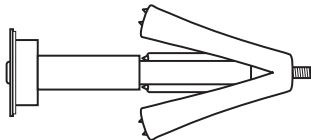


Allen Wrench (1)



Set Screw (1)

**Optional Hardware
(Sold Separately)**



WINGITS[®] MASTER Anchor (MAW35)
(1)