

WINGITS®

MODERN Elegance™ Stainless Steel Vertical Towel Center

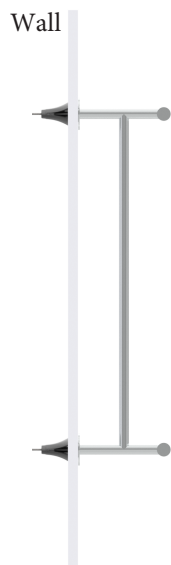
Model:
WMEVTC

Part Numbers:

WMEVTCPS2221
Polished Finish

WMEVTC SN2221
Satin Finish

Includes World's
Strongest Fastener®



Features:

- Modern design combined with **PATENTED** BridgeBind™ Manufacturing creates the ultimate in bath accessories
- Unparalleled Strength
- Hand Polished Stainless Steel

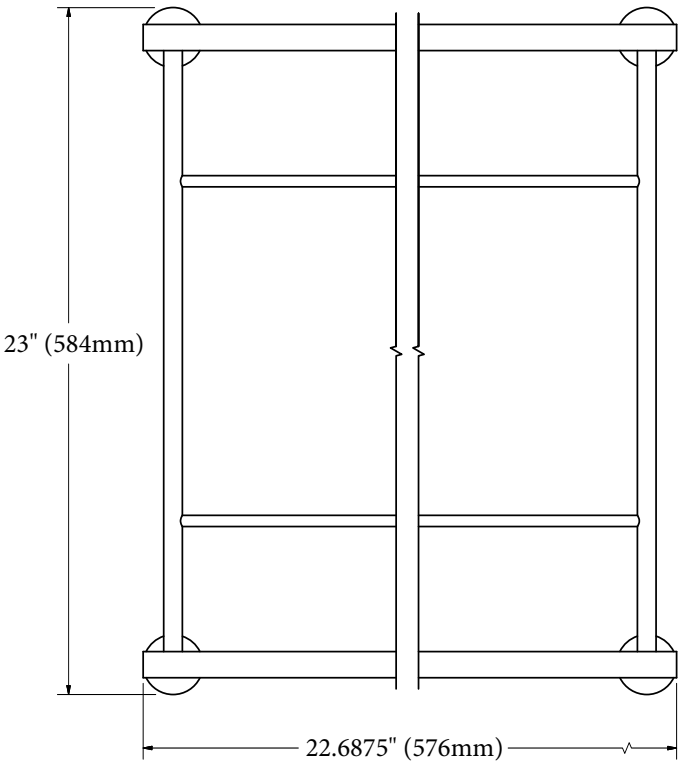
MECHANICAL DATA
Length: 22.6875" (576mm)
Height: 23" (584mm)
Depth: 5.8" (147mm)
COMPOSITION
18-8 (304) Stainless Steel
INSTALLATION
Includes Stainless Steel Screws to Install into Adequate Structural Blocking . Includes 3M® VHB Waterproof Tape. Can Be Installed with WINGITS® Fasteners when blocking is not available.
RECOMMENDED INTEGRATION
Install with WINGITS® Fasteners for structural installation into hollow-wall construction. Structural MODERN Elegance™ Rack has a complete line of matching Bath Accessories.

PATENTED
BridgeBind™ Technology

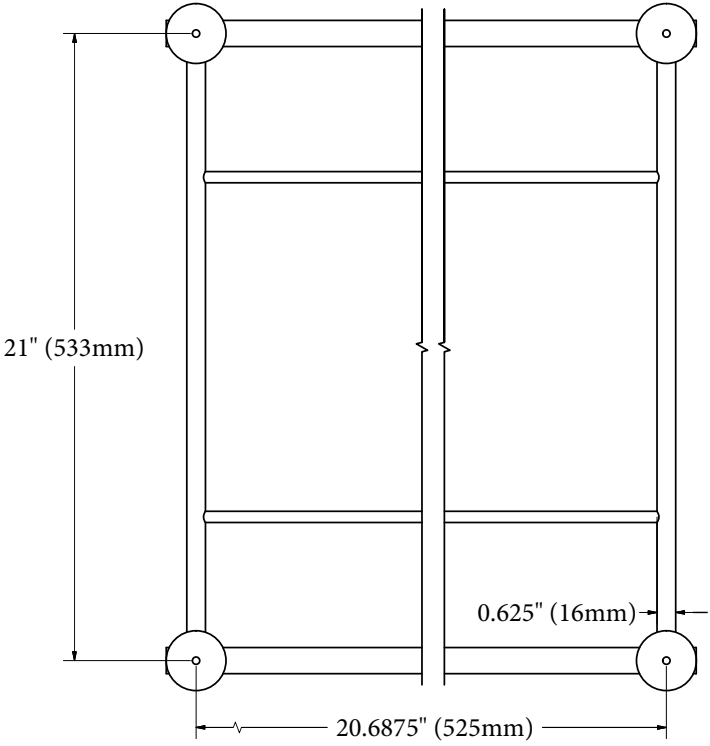


A steel dowel is expertly embedded in a stainless steel tube then arc welded to the tube's far side for the perfect structural synthesis

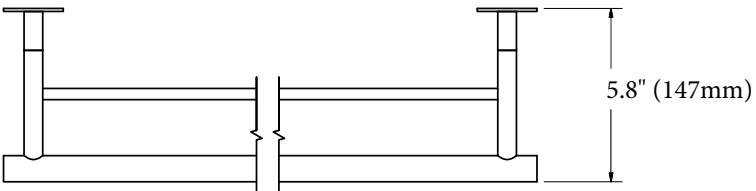
Front



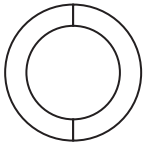

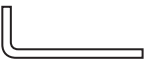

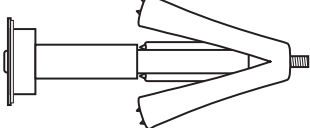
Back



Top



Included Hardware

-  3M[®] Waterproof Tape (4)
-  2.5" S/S Screw (4)
-  Allen Wrench (1)
-  Set Screw (4)
-  WINGITS[®] MASTER Anchor (MAW35) (4)