

# WINGITS®

## MODERN Transitional™

### GRAND Single Robe Hook

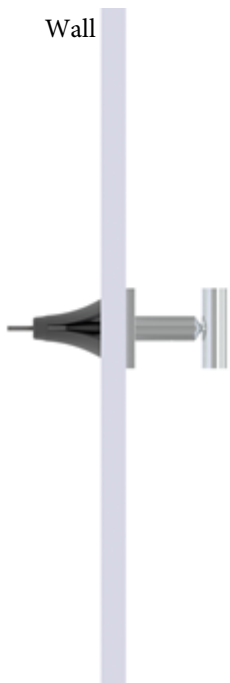
Model:

## WMTGSRH

Part Numbers:

WMTGSRHPS  
Polished Finish

WMTGSRHSN  
Satin Finish



**Features:**

- Modern design combined with **PATENTED** BridgeBind™ Manufacturing creates the ultimate in bath accessories
- No Lines for Dirt to Collect - Maintenance Free
- Hand Polished Stainless Steel

<b>MECHANICAL DATA</b>
Length: 2" (51mm)
Height: 2" (51mm)
Depth: 2.5" (64mm)
<b>COMPOSITION</b>
18-8 (304) Stainless Steel
<b>INSTALLATION</b>
Includes Stainless Steel Screw to Install into <b>Adequate Structural Blocking</b> . Includes 3M® VHB Waterproof Tape. Can Be Installed with WINGITS® Fasteners when blocking is not available.
<b>RECOMMENDED INTEGRATION</b>
<b>PROPER INSTALLATION REQUIRES</b> use of 3M® VHB Waterproof Tape to stop rotation and <b>MUST</b> be installed into <b>Adequate Structural Blocking</b> or with optional WINGITS® Fasteners. WINGITS® MODERN™ design is available in all Bath Accessories.

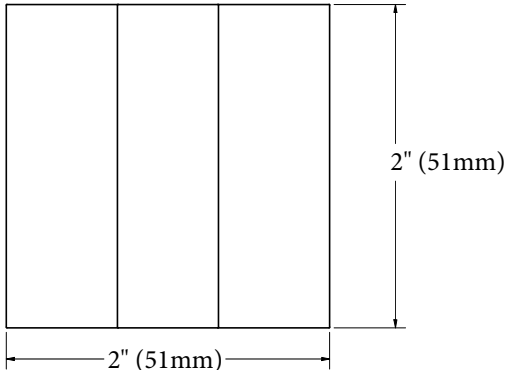
PATENTED

**BridgeBind™ Technology**

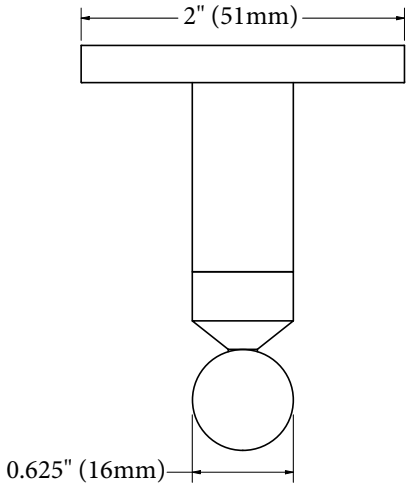


A steel dowel is expertly embedded in a stainless steel tube then arc welded to the tube's far side for the perfect structural synthesis

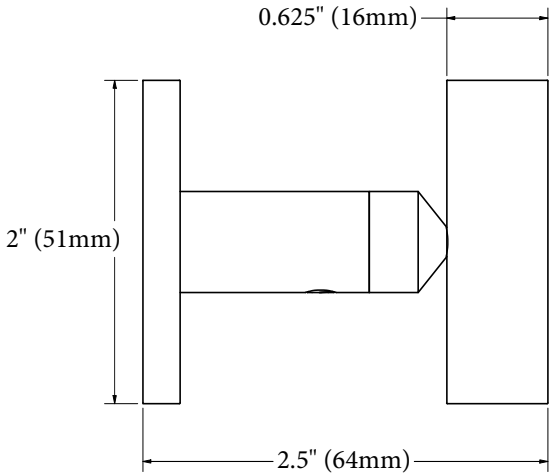
**Front**



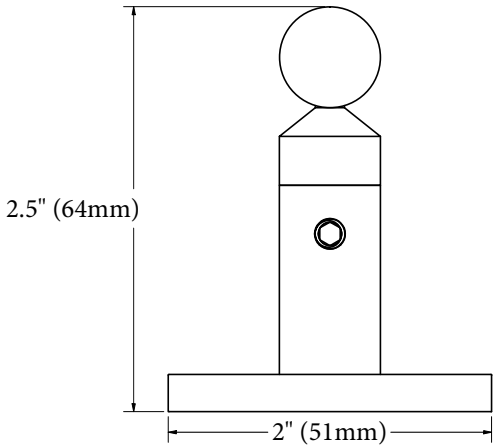
**Top**



**Side**

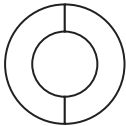


**Bottom**



**Included Hardware**

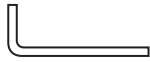
**Optional Hardware  
(Sold Separately)**



3M<sup>®</sup> Waterproof Tape (1)



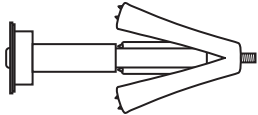
2.5" S/S Screw (1)



Allen Wrench (1)



Set Screw (1)



WINGITS<sup>®</sup> MASTER Anchor™ (MAW35)  
(1)