

# WINGITS®

## MODERN Transitional™

### Horizontal/Vertical Toilet Paper Holder

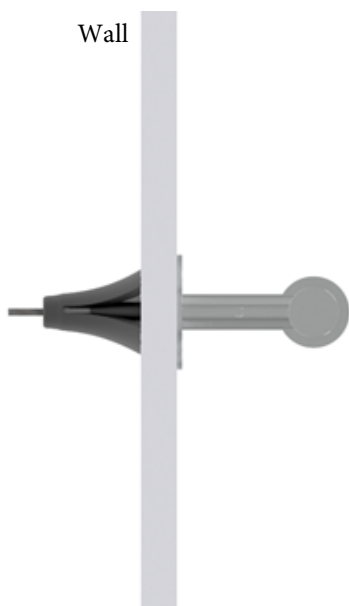
Model:

# WMTHVTPH

Part Numbers:

WMTHVTPHPS  
Polished Finish

WMTHVTPHSN  
Satin Finish



**Features:**

- Modern design combined with **PATENTED BridgeBind™** Manufacturing creates the ultimate in bath accessories
- No Lines for Dirt to Collect - Maintenance Free
- Hand Polished Stainless Steel

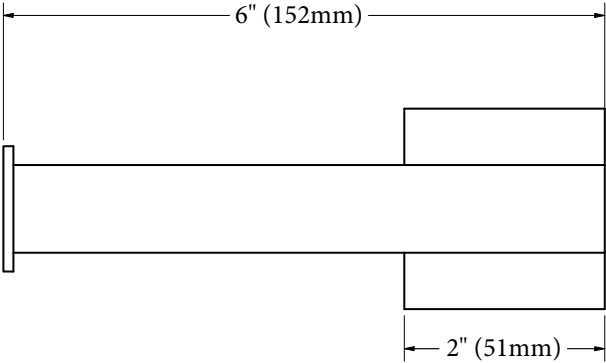
|   |
|---|
| <b>MECHANICAL DATA</b>  |
| Length/Height: 6" (152mm)   |
| Height: 2" (51mm)   |
| Depth: 3" (76mm)  |
| Tube Diameter: 0.875" (22mm)  |
| <b>COMPOSITION</b>  |
| 18-8 (304) Stainless Steel  |
| <b>INSTALLATION</b>   |
| Includes Stainless Steel Screw to Install into <b>Adequate Structural Blocking</b> .<br>Includes 3M® VHB Waterproof Tape.<br>Can Be Installed with WINGITS® Fasteners when blocking is not available.   |
| <b>RECOMMENDED INTEGRATION</b>  |
| <b>PROPER INSTALLATION REQUIRES</b> use of 3M® VHB Waterproof Tape to stop rotation and <b>MUST</b> be installed into <b>Adequate Structural Blocking</b> or with optional WINGITS® Fasteners.<br>WINGITS® MODERN™ design is available in all Bath Accessories. |

*PATENTED*  
**BridgeBind™ Technology**

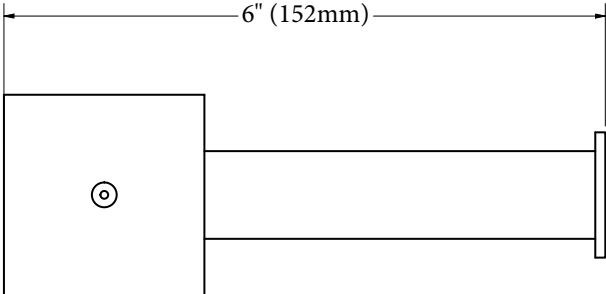


A steel dowel is expertly embedded in a stainless steel tube then arc welded to the tube's far side for the perfect structural synthesis

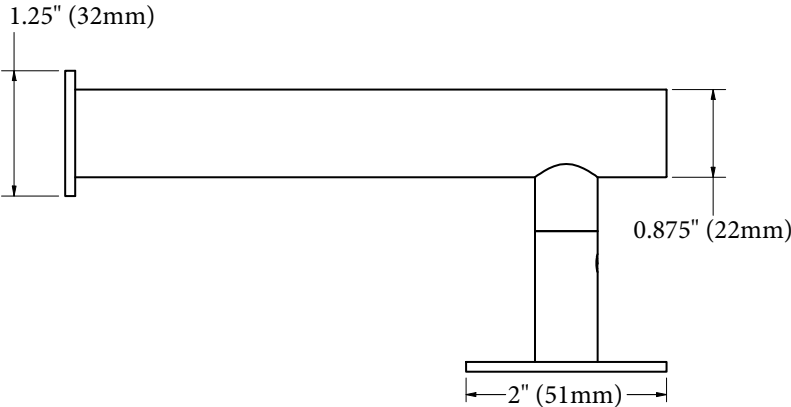
**Front**



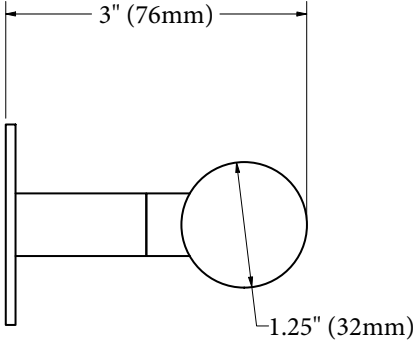
**Back**



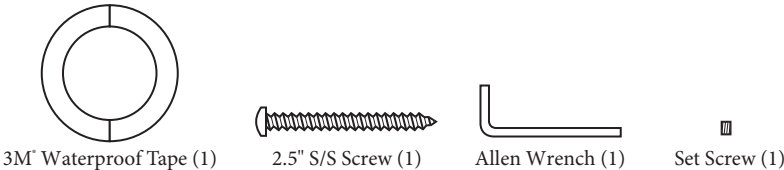
**Top**



**Side**



**Included Hardware**



**Optional Hardware  
(Sold Separately)**

