

WINGITS®

MODERN Transitional™

Angled Vertical Towel Rack

Model:

WMTTRAV

Part Numbers:

WMTTRAV1816PS **WMTTRAV1816SN**
 18" Polished Finish 18" Satin Finish

WMTTRAV2416PS **WMTTRAV2416SN**
 24" Polished Finish 24" Satin Finish



Includes World's
 Strongest Fastener®



Features:

- Modern design combined with **PATENTED BridgeBind™** Manufacturing creates the ultimate in bath accessories
- Unparalleled Strength
- Hand Polished Stainless Steel

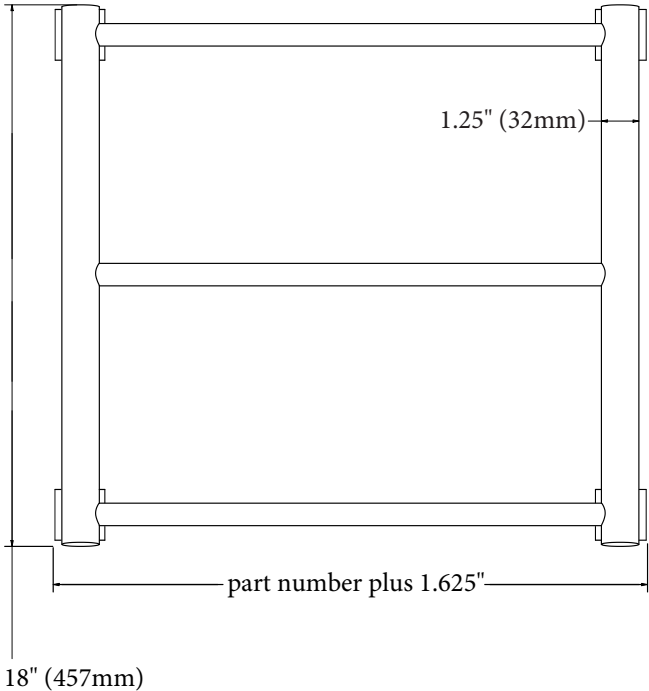
MECHANICAL DATA
Length: see part number
Height: 18" (457mm)
Depth: 6" (152mm)
Vertical Bar Diameter: 1.25" (32mm)
COMPOSITION
18-8 (304) Stainless Steel
INSTALLATION
Includes Stainless Steel Screws to Install into Adequate Structural Blocking . Includes 3M® VHB Waterproof Tape. Can Be Installed with WINGITS® Fasteners when blocking is not available.
RECOMMENDED INTEGRATION
Install with WINGITS® Fasteners for structural installation into hollow-wall construction. Structural MODERN Transitional™ Rack has a complete line of matching Bath Accessories.

PATENTED
BridgeBind™ Technology

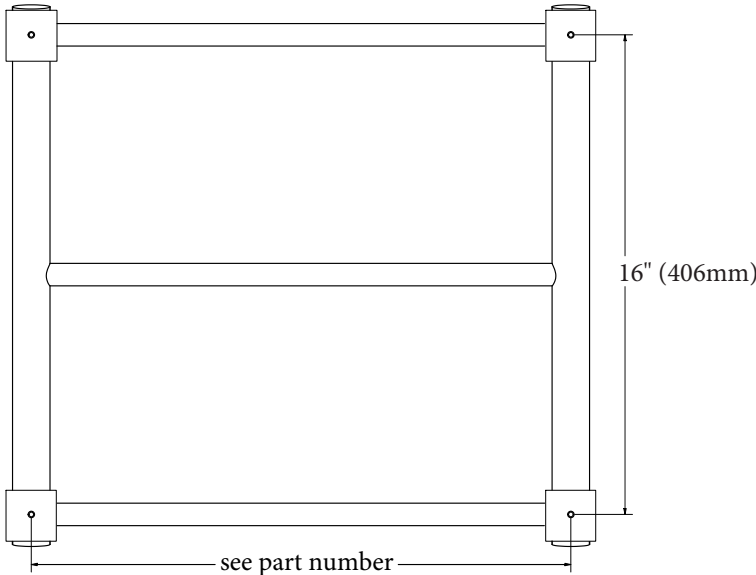


A steel dowel is expertly embedded in a stainless steel tube then arc welded to the tube's far side for the perfect structural synthesis

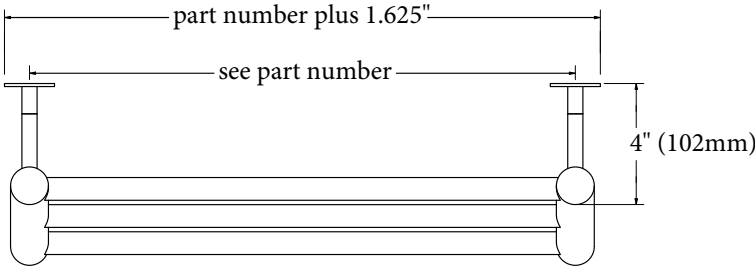
Front



Back



Top



Included Hardware

