

# WINGITS®

## MODERN Transitional™ Stainless Steel Vertical Towel Rack

Model:

### WMTTRV

Part Numbers:

**WMTTRV1816PS**      **WMTTRV1816SN**  
18" Polished Finish      18" Satin Finish

**WMTTRV2416PS**      **WMTTRV2416SN**  
24" Polished Finish      24" Satin Finish



Includes World's  
Strongest Fastener®



Wall



#### Features:

- Modern design combined with **PATENTED** BridgeBind™ Manufacturing creates the ultimate in bath accessories
- Not an Encumbrance - Only 4" off wall
- Hand Polished Stainless Steel

#### MECHANICAL DATA

**Length:** see part number  
**Height:** 18" (457mm)  
**Depth:** 4" (102mm)  
**Vertical Bar Diameter:** 1.25" (32mm)

#### COMPOSITION

18-8 (304) Stainless Steel

#### INSTALLATION

Includes Stainless Steel Screws to Install into **Adequate Structural Blocking**.  
Includes 3M® VHB Waterproof Tape.  
Can Be Installed with WINGITS® Fasteners when blocking is not available.

#### RECOMMENDED INTEGRATION

Install with WINGITS® Fasteners for structural installation into hollow-wall construction. Structural MODERN Transitional™ Rack has a complete line of matching Bath Accessories.

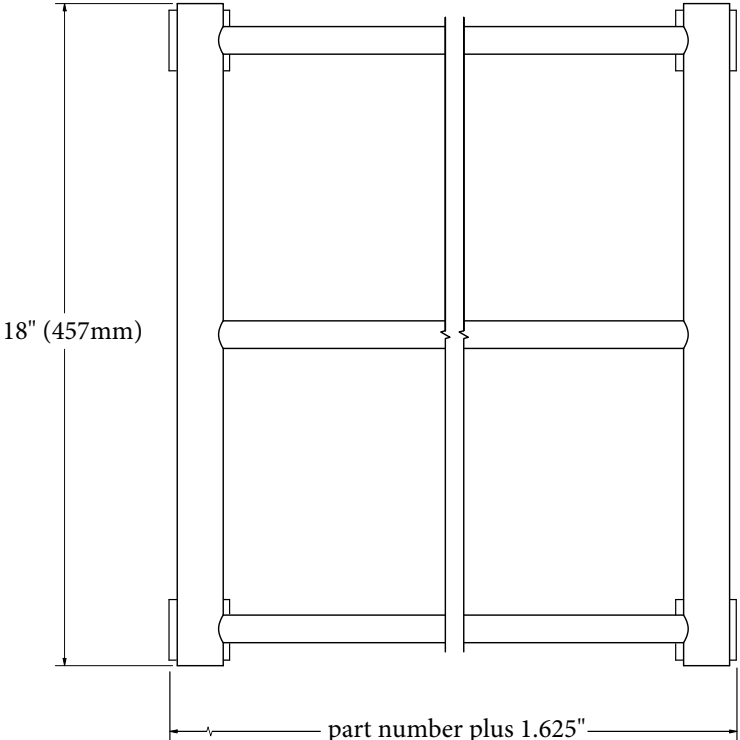
PATENTED

### BridgeBind™ Technology

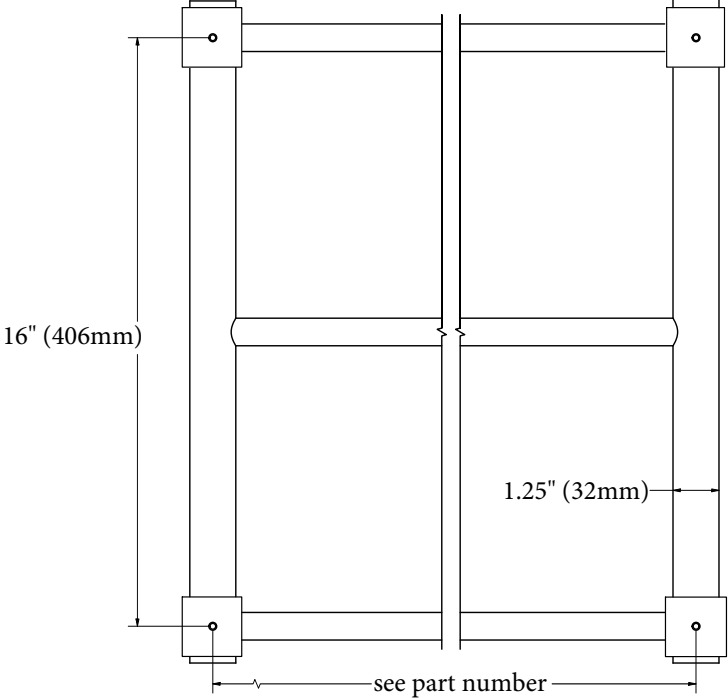


A steel dowel is expertly embedded in a stainless steel tube then arc welded to the tube's far side for the perfect structural synthesis

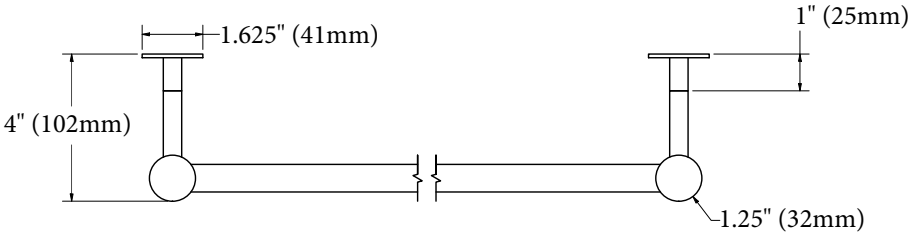
Front



Back



Top



Included Hardware

