

# WINGITS® WINGITS® OVAL

## 5' Curved Shower Rod (9" Bow)

**Model:**  
**WOC**

### GEN 2 BRACKETS

**Part Numbers:**

**WOCBS5SP**

5' Curved Shower Rod  
Polished Finish

**WOCNS5SP**

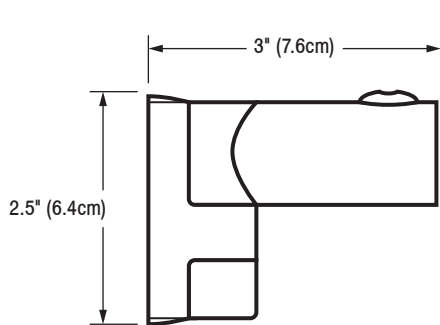
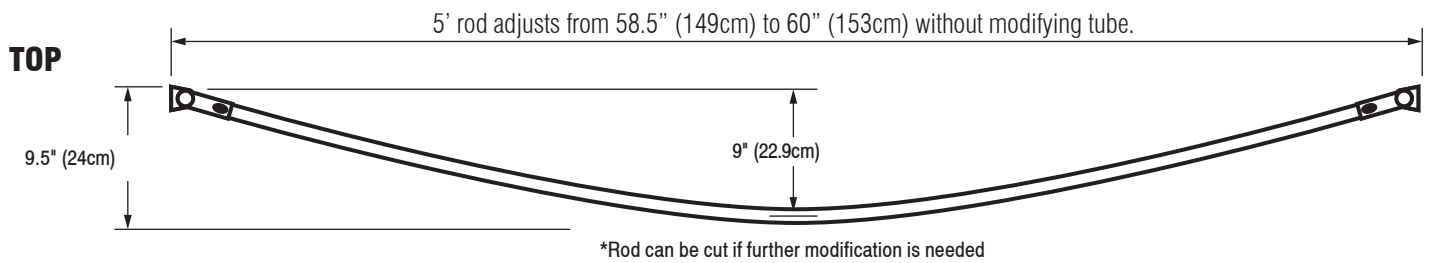
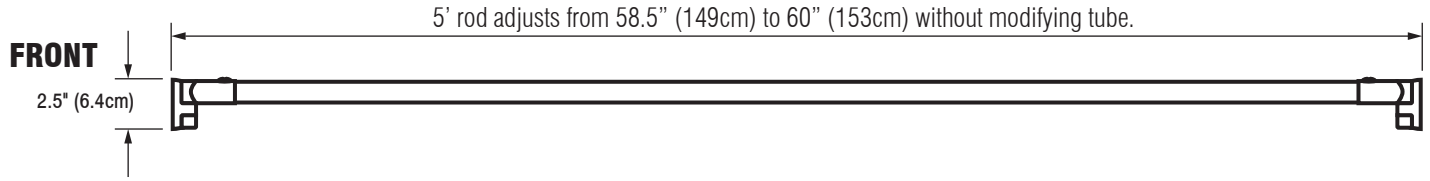
5' Curved Shower Rod  
Satin Finish



- Stronger than the original CRESCENT™ ROUND Shower Rod
- Oval tube locks into the brackets and can be used with all shower curtains.
- 25% more room in the shower.

<b>MECHANICAL DATA</b>
<p><b>Height:</b> 2.5" (6.4cm)  <b>Length:</b> 5' rod adjusts from 58.5" (149cm) to 60" (153cm) without modifying tube.  <b>Projection:</b> Rod Projects 9" (22.9cm)  <b>Rod Dimensions:</b> Rod is 0.75" (1.9cm) thick, 1" (2.5cm) tall oval.</p>
<b>PRODUCT COMPOSITION</b>
<p><b>Tubing:</b> 22 gauge stainless steel.    <b>Bracket:</b> Chrome plated zinc.</p>
<b>MODALITY</b>
<p><b>Use:</b> Shower wall installation</p>
<b>INSTALLATION</b>
<p>WingIts® OVAL Curved Shower Rods must be installed into adequate structural blocking or with optional WingIts® Fasteners.</p>
<b>RECOMMENDED INTEGRATION</b>
<p>For hollow wall construction, it is recommended that WingIts® Hollow Wall Anchors are used with this product.</p>

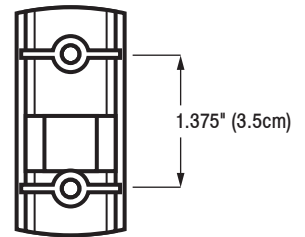
# WINGITS®



**BRACKET SIDE**



**BRACKET TOP**

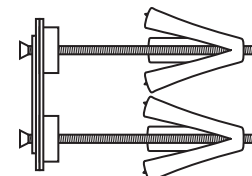


**BRACKET BACK**

**INCLUDED HARDWARE**



**OPTIONAL HARDWARE**  
(Sold Separately)



Wingits® Bath Accessory Wingit Fastener (BAW30) x 2