

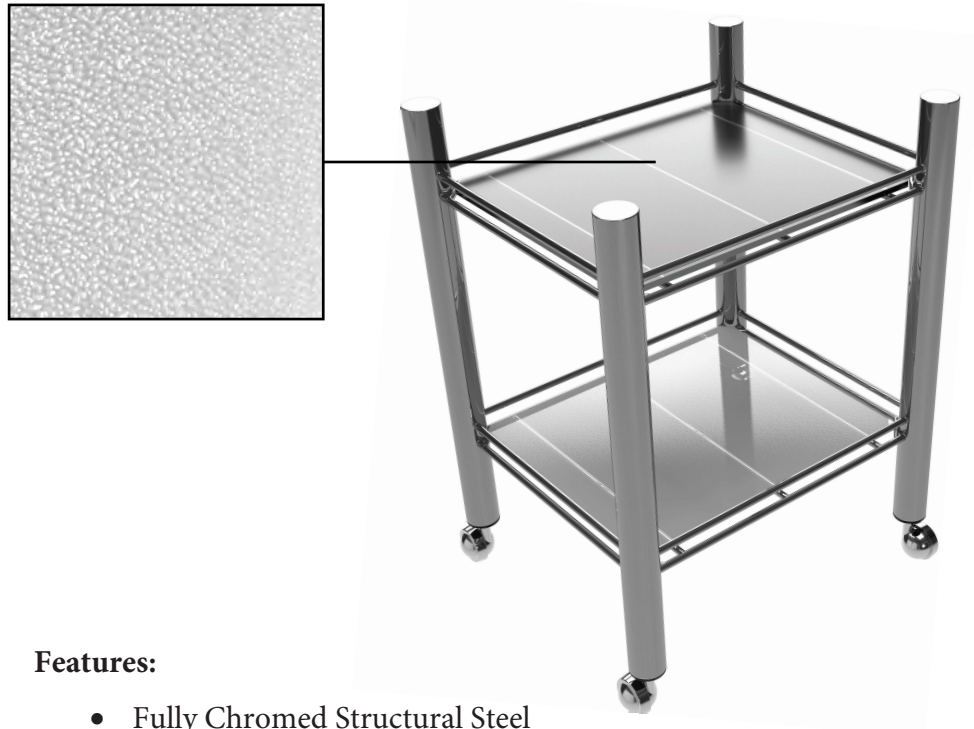
WINGITS®

Portable Amenities Cart

Under Vanity Rolling Towel/Amenities Cart

Model:
WPAC

Part Number:
WPAC18PSFG

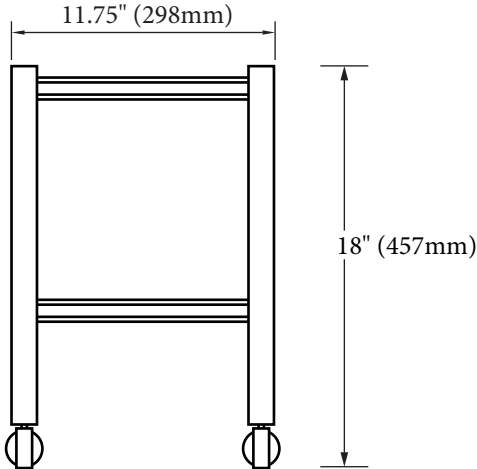


Features:

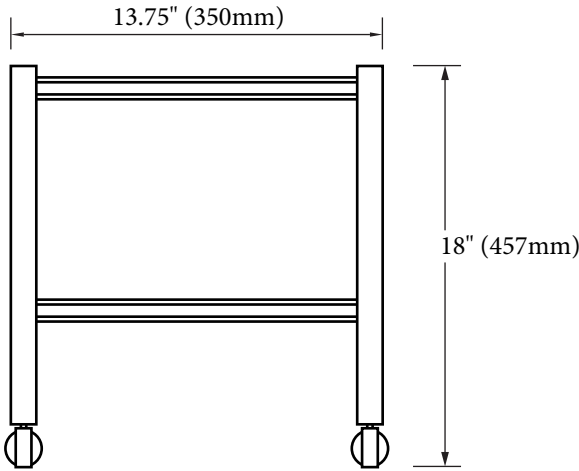
- Fully Chromed Structural Steel
- Beauty-Functionality-Durability
- No caps, plugs or lines to collect dirt - maintenance free
- HeliArc Welded for Unparalleled Strength

MECHANICAL DATA
Width: 11.75" (298mm)
Length: 13.75" (350mm)
Height: 18" (457mm)
COMPOSITION
Frame: 1.25" (32mm) diameter steel tubes with HeliArc welded caps. 0.25" (6mm) diameter steel tubes HeliArc welded to frame members. Entire assembled cart is chrome plated.
Shelves: Frosted 0.25" (6mm) acrylic.
RECOMMENDED INTEGRATION
Portable Amenities/Towel Cart is designed to roll under vanity.
Maximum Load: 50 lb (23kg)

Front



Side



Top

