

WINGITS®

Recessed Toilet Paper Holder

Model:
WRSTPH

Part Numbers:

WRSTPHPS
Polished Finish

WRSTPHSN
Satin Finish



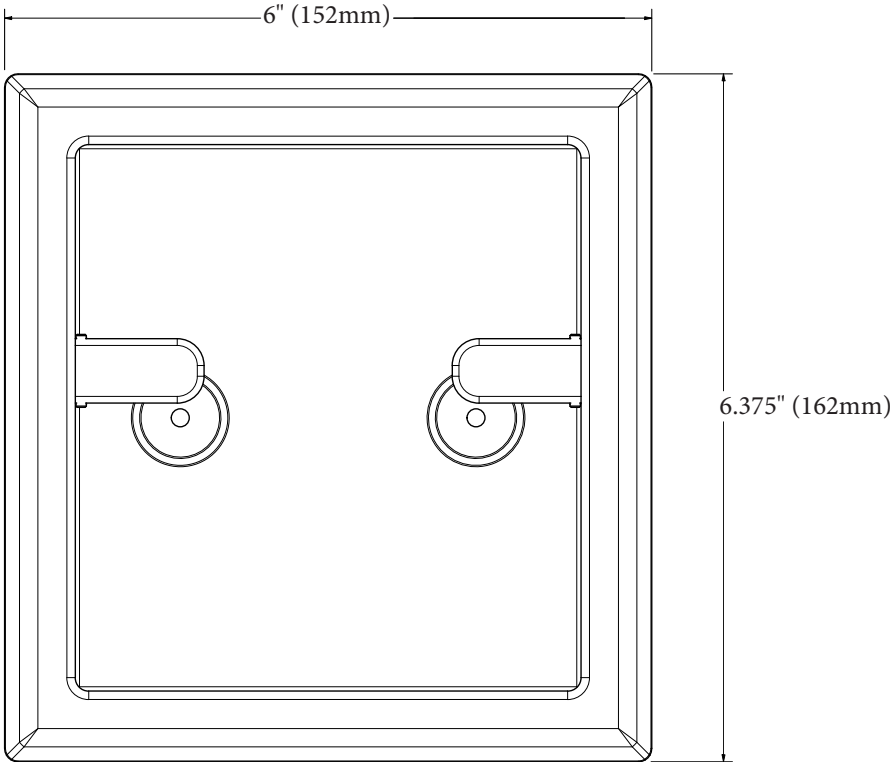
Features:

- Stainless Steel Construction
- Beauty, Functionality & Durability
- Available with Hoods or without and in Satin or Bright Hand Polished Finish
- Recessed Design Creates More Space

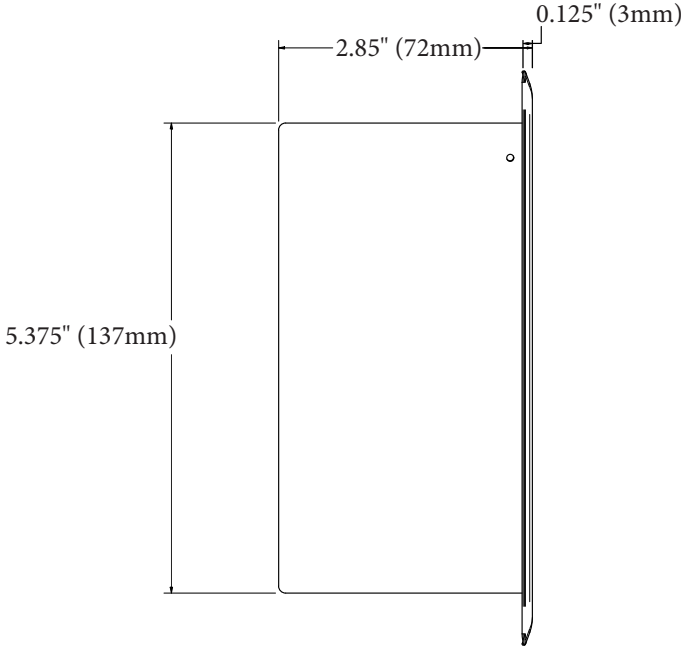


MECHANICAL DATA
Length: 6" (152mm)
Height: 6.375" (162mm)
Depth: 0.125" (3mm)
COMPOSITION
Stainless steel with spring-loaded retractable spindle
INSTALLATION
WINGITS® Recessed Toilet Paper Holders are designed to be installed into hollow walls. Screws and plastic wall anchors included.

Front



Side



Included Hardware



Plastic Wall Anchor (2)



S/S Screw (2)