

WINGITS®

SHEER Elegance™

GRAND Single Button Robe Hook

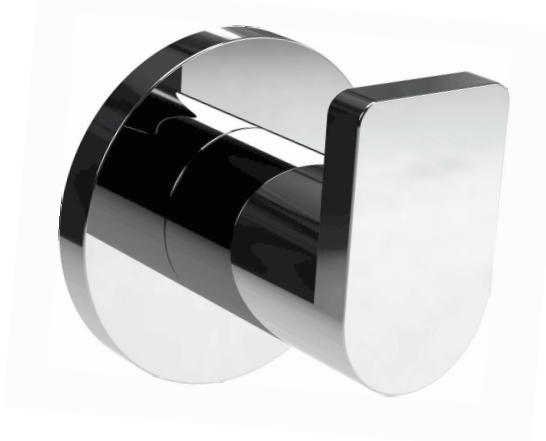
Model:

WSEGSBRH

Part Numbers:

WSEGSBRHPS
Polished Finish

WSEGSBRHSN
Satin Finish



Features:

- SHEER Beauty, Functionality & Durability
- Substantial Form and Seamless Construction
- Offers a Minimal, SHEER Design
- Hand Polished 18-8 (304) Solid Stainless Steel Results in Consummate Aesthetics that are Unique and Captivating

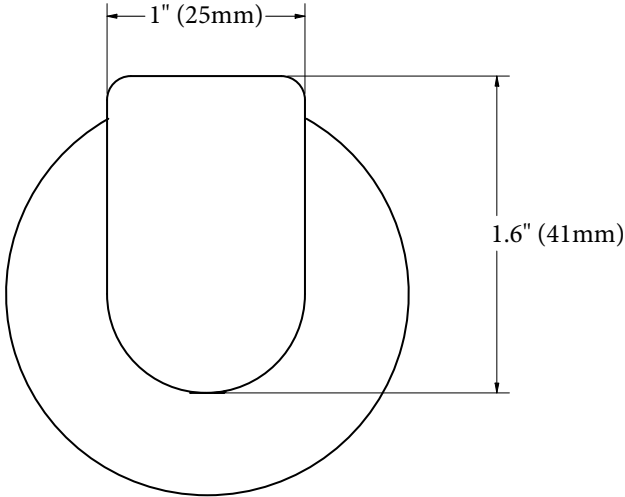


Wall

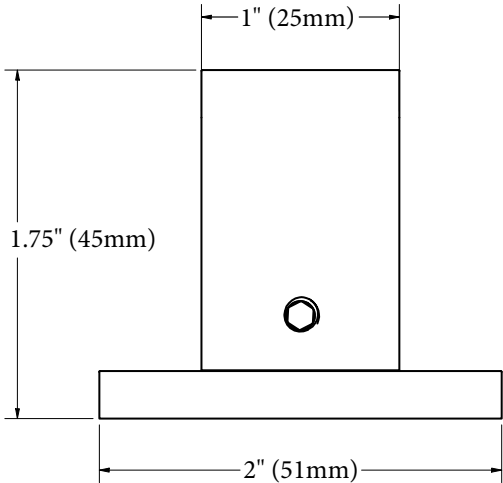
Installed with
Optional WINGITS®
Fastener

MECHANICAL DATA
Length: 2" (50mm) Depth: 1.75" (45mm) Height: 2" (51mm)
COMPOSITION
18-8 (304) Stainless Steel
INSTALLATION
Includes Stainless Steel Screws to Install into Adequate Structural Blocking . Includes 3M® VHB Waterproof Tape. Can Be Installed with WINGITS® Fasteners when blocking is not available.
RECOMMENDED INTEGRATION
PROPER INSTALLATION REQUIRES use of 3M® VHB Waterproof Tape to stop rotation and MUST be installed into Adequate Structural Blocking or with optional WINGITS® Fasteners. WINGITS® SHEER™ design is available in all Bath Accessories.

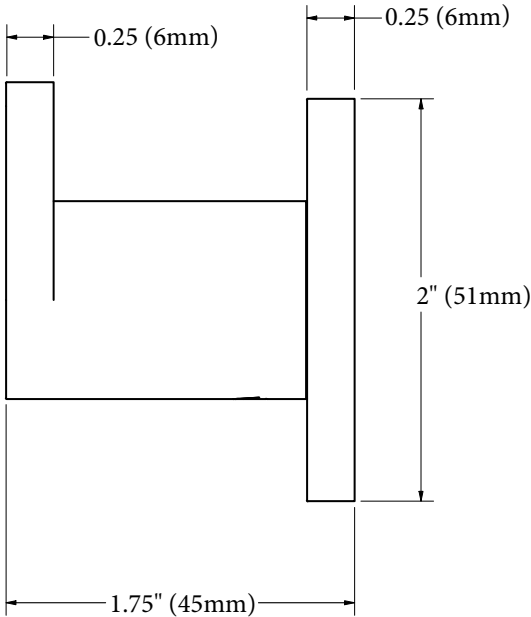
Front



Bottom

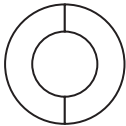


Side



Included Hardware

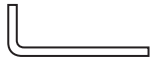
**Optional Hardware
(Sold Separately)**



3M[®] Waterproof Tape (1)



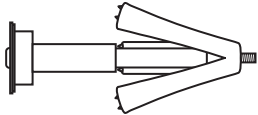
2.5" S/S Screw (1)



Allen Wrench (1)



Set Screw (1)



WINGITS[®] MASTER Anchor™ (MAW45)
(1)