

# WINGITS®

## SHEER Squared™

### GRAND Double Button Robe Hook

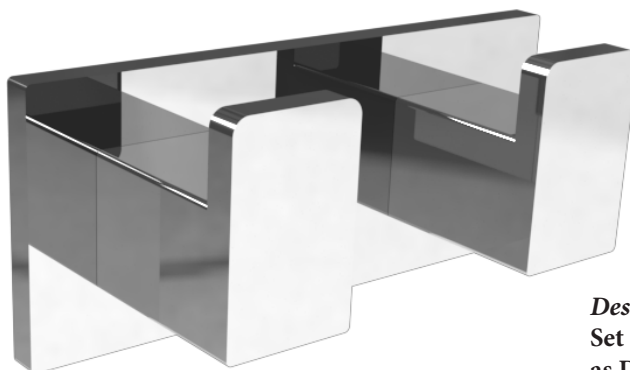
Model:

# WSSQGDBRH

Part Numbers:

WSSQGDBRHPS  
Polished Finish

WSSQGDBRHSN  
Satin Finish



*Designer Intent -  
Set Hook Direction  
as Desired*

Radiused Edges for Safety

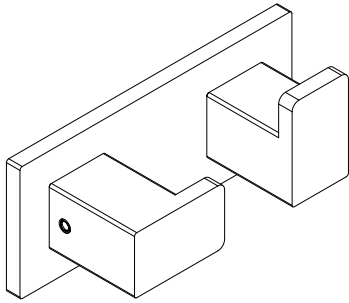
#### Features:

- SHEER Beauty, Functionality & Durability
- Substantial Form and Seamless Construction
- Single, SQUARE Flange with Dual Button Robe Hooks
- Hand Polished 18-8 (304) Solid Stainless Steel Results in Consummate Aesthetics that are Unique and Captivating

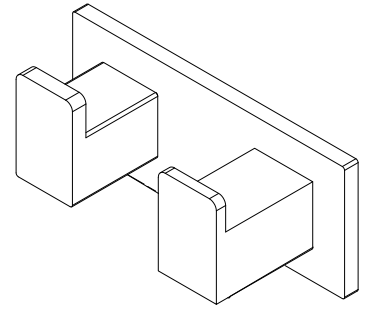


Installed with  
Optional WINGITS®  
Fasteners

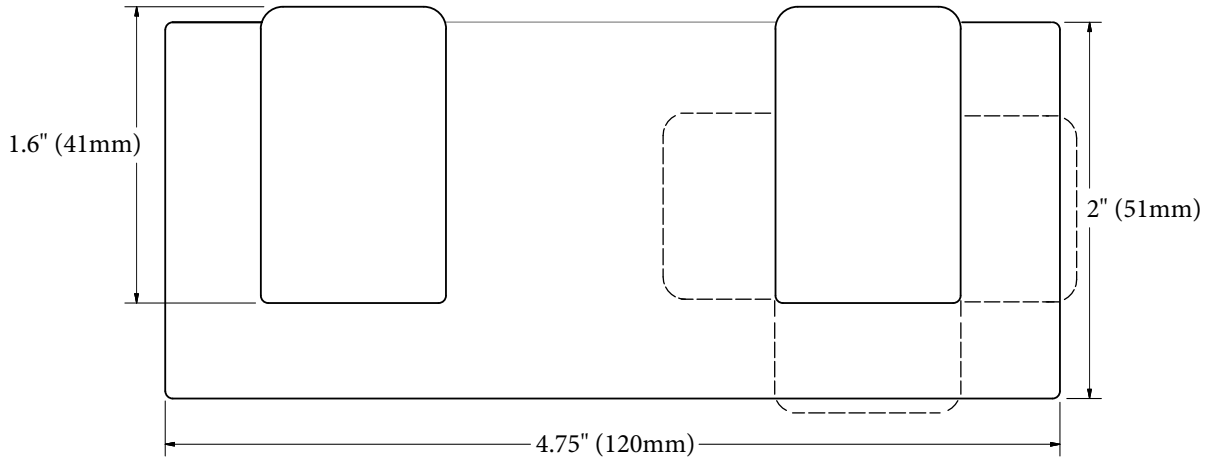
<b>MECHANICAL DATA</b>
Length: 4.75" (120mm)
Depth: 1.75" (45mm)
Height: 2" (51mm)
<b>COMPOSITION</b>
18-8 (304) Stainless Steel
<b>INSTALLATION</b>
Includes Stainless Steel Screws to Install into <b>Adequate Structural Blocking</b> . Includes 3M® VHB Waterproof Tape. Can Be Installed with WINGITS® Fasteners when blocking is not available.
<b>RECOMMENDED INTEGRATION</b>
Install into <b>Adequate Structural Blocking</b> or with WINGITS® Fasteners. WINGITS® SHEER™ design is available in all Bath Accessories.



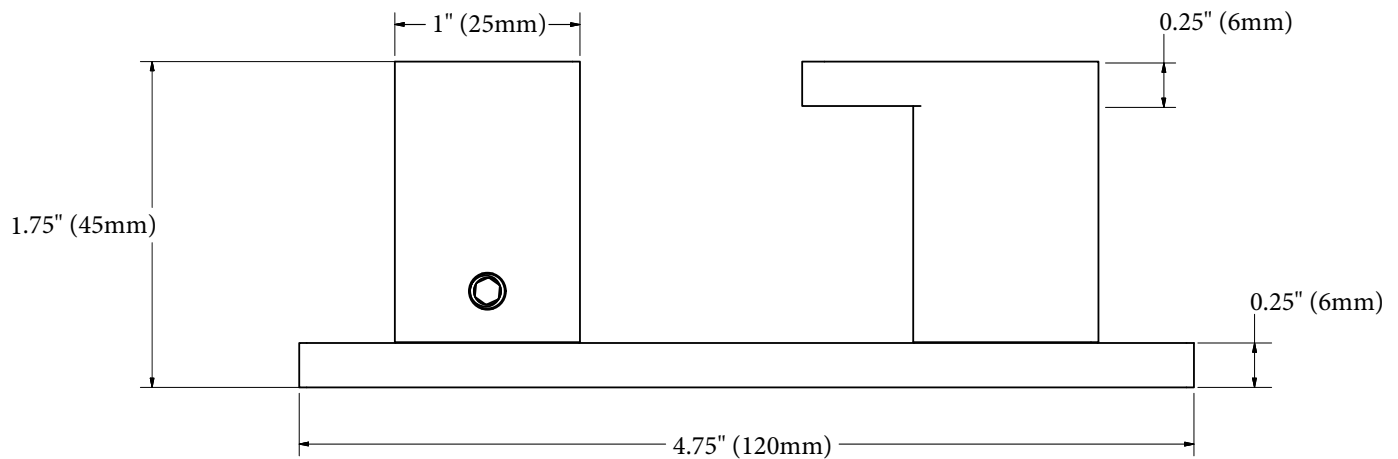
*Designer Intent -  
Set Hook Direction  
as Desired*



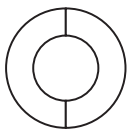
**Front**



**Bottom**



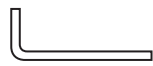
**Included Hardware**



3M<sup>®</sup> Waterproof Tape (2)



2.5" S/S Screw (2)

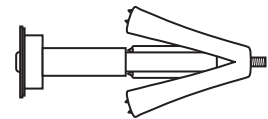


Allen Wrench (1)



Set Screw (2)

**Optional Hardware  
(Sold Separately)**



WINGITS<sup>®</sup> MASTER Anchor<sup>™</sup> (MAW45)  
(2)