

WINGITS®

SHEER Squared™

GRAND Single Button Robe Hook

Model:

WSSQGSBRH

Part Numbers:

WSSQGSBRHPS
Polished Finish

WSSQGSBRHSN
Satin Finish



Features:

- SHEER Beauty, Functionality & Durability
- Substantial Form and Seamless Construction
- Offers a Minimal, SHEER Design
- Hand Polished 18-8 (304) Solid Stainless Steel Results in Consummate Aesthetics that are Unique and Captivating



Installed with
Optional WINGITS®
Fastener

MECHANICAL DATA

Length: 2" (51mm)
Depth: 1.75" (45mm)
Height: 2" (51mm)

COMPOSITION

18-8 (304) Stainless Steel

INSTALLATION

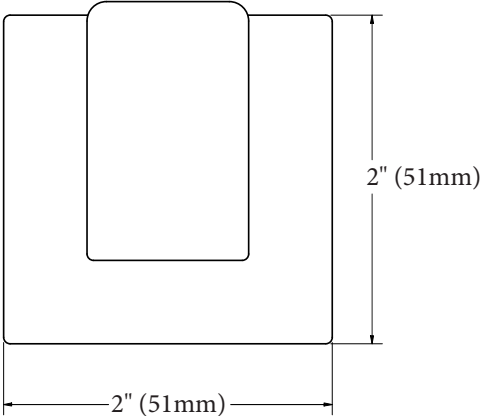
Includes Stainless Steel Screws to Install into **Adequate Structural Blocking**.
Includes 3M® VHB Waterproof Tape.
Can Be Installed with WINGITS® Fasteners when blocking is not available.

RECOMMENDED INTEGRATION

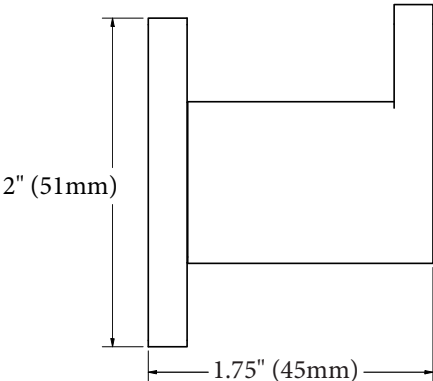
PROPER INSTALLATION REQUIRES use of 3M® VHB Waterproof Tape to stop rotation and **MUST** be installed into **Adequate Structural Blocking** or with optional WINGITS® Fasteners.

WINGITS® SHEER™ design is available in all Bath Accessories.

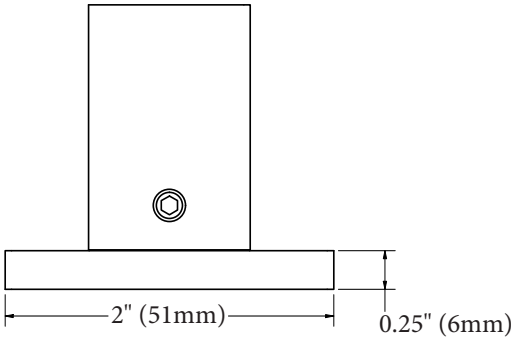
Front



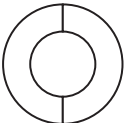

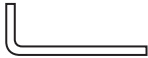

Side



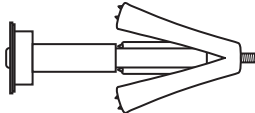
Bottom



Included Hardware

-  3M[®] Waterproof Tape (1)
-  2.5" S/S Screw (1)
-  Allen Wrench (1)
-  Set Screw (1)

**Optional Hardware
(Sold Separately)**

-  WINGITS[®] MASTER Anchor™ (MAW45)
(1)