

WINGITS®

MAX Elegance™

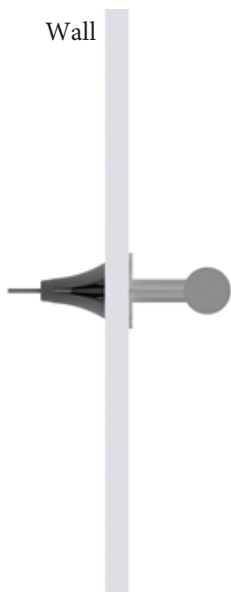
Stainless Steel Double Coat Hook

Model:
WXEDCH

Part Numbers:

WXEDCHPS
Polished Finish

WXEDCHSN
Satin Finish



Features:

- Modern design combined with **PATENTED BridgeBind™** Manufacturing creates the ultimate in bath accessories
- No Lines for Dirt to Collect - Maintenance Free
- Hand Polished Stainless Steel

MECHANICAL DATA

Length: 3" (76mm)
Height: 2" (51mm)
Depth: 2.6875" (68mm)

COMPOSITION

18-8 (304) Stainless Steel

INSTALLATION

Includes Stainless Steel Screws to Install into **Adequate Structural Blocking**.
Includes 3M® VHB Waterproof Tape.
Can Be Installed with WINGITS® Fasteners when blocking is not available.

RECOMMENDED INTEGRATION

PROPER INSTALLATION REQUIRES use of 3M® VHB Waterproof Tape to stop rotation and **MUST** be installed into **Adequate Structural Blocking** or with optional WINGITS® Fasteners.

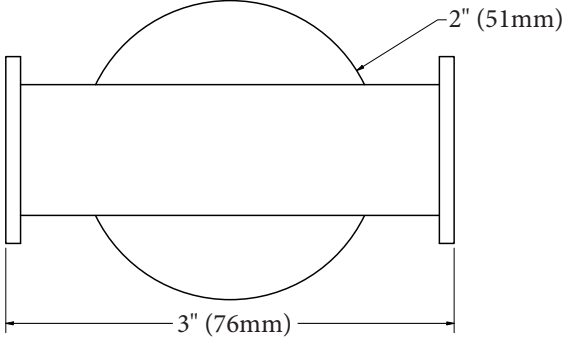
WINGITS® MAX Elegance™ design is available in all Bath Accessories.

PATENTED
BridgeBind™ Technology

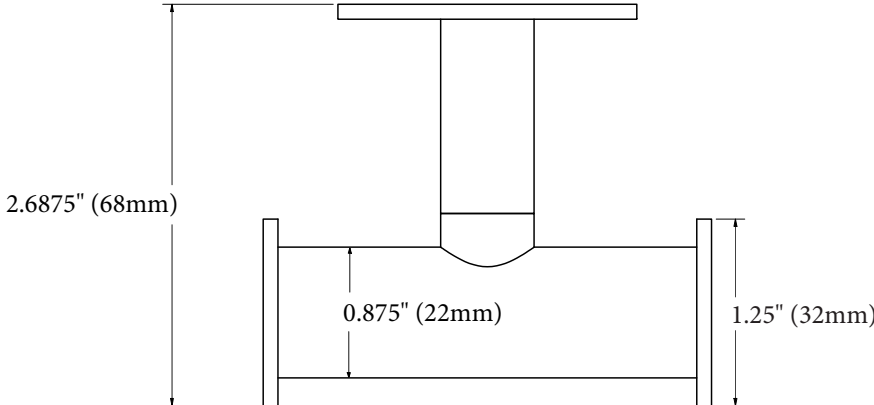


A steel dowel is expertly embedded in a stainless steel tube then arc welded to the tube's far side for the perfect structural synthesis

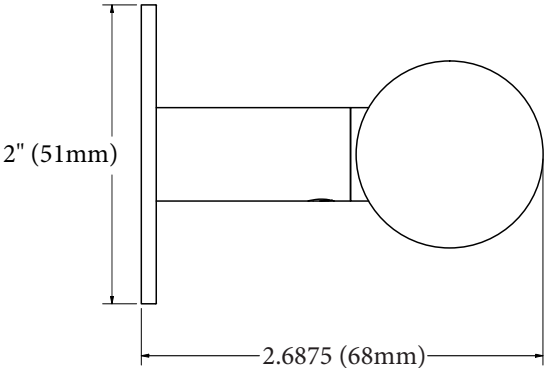
Front



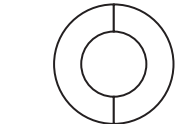
Top



Side



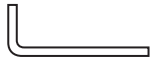
Included Hardware



3M[®] Waterproof Tape (1)



2.5" S/S Screw (1)

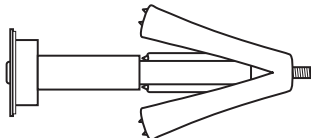


Allen Wrench (1)



Set Screw (1)

**Optional Hardware
(Sold Separately)**



WINGITS[®] MASTER Anchor (MAW35)
(1)