

# WINGITS®

## MAX Elegance™

### Double Toilet Paper Holder

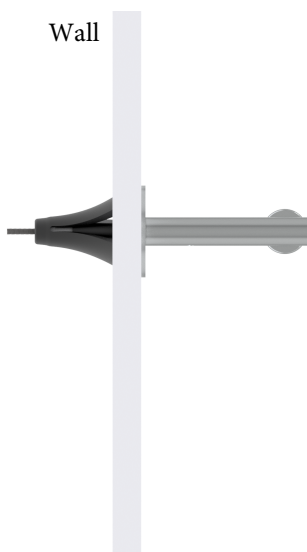
Model:

# WXEDTPH

Part Numbers:

WXEDTPHPS  
Polished Finish

WXEDTPHSN  
Satin Finish



**Features:**

- Modern design combined with **PATENTED BridgeBind™** Manufacturing creates the ultimate in bath accessories
- Minimal, Elegant Design
- Hand Polished Stainless Steel

**MECHANICAL DATA**

**Length:** 13" (330mm)  
**Diameter:** 2" (51mm)  
**Depth:** 3.625" (92mm)

**COMPOSITION**

18-8 (304) Stainless Steel

**INSTALLATION**

Includes Stainless Steel Screws to Install into **Adequate Structural Blocking**.  
Includes 3M® VHB Waterproof Tape.  
Can Be Installed with WINGITS® Fasteners when blocking is not available.

**RECOMMENDED INTEGRATION**

Install into **Adequate Structural Blocking** or with WINGITS® Fasteners.  
WINGITS® MAX™ design is available in all Bath Accessories.

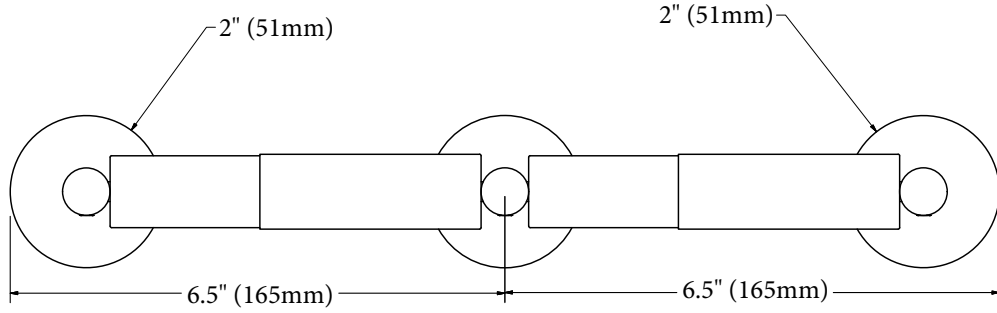
PATENTED

### BridgeBind™ Technology

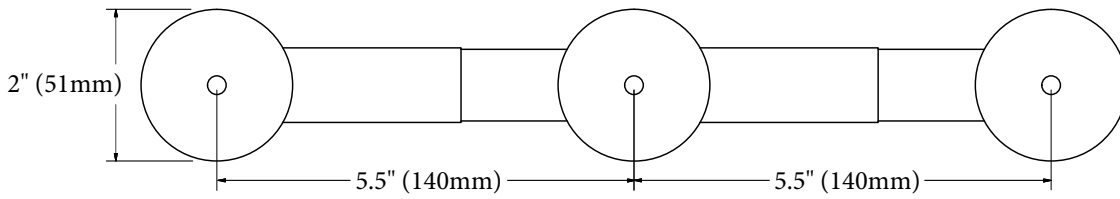


A steel dowel is expertly embedded in a stainless steel tube then arc welded to the tube's far side for the perfect structural synthesis

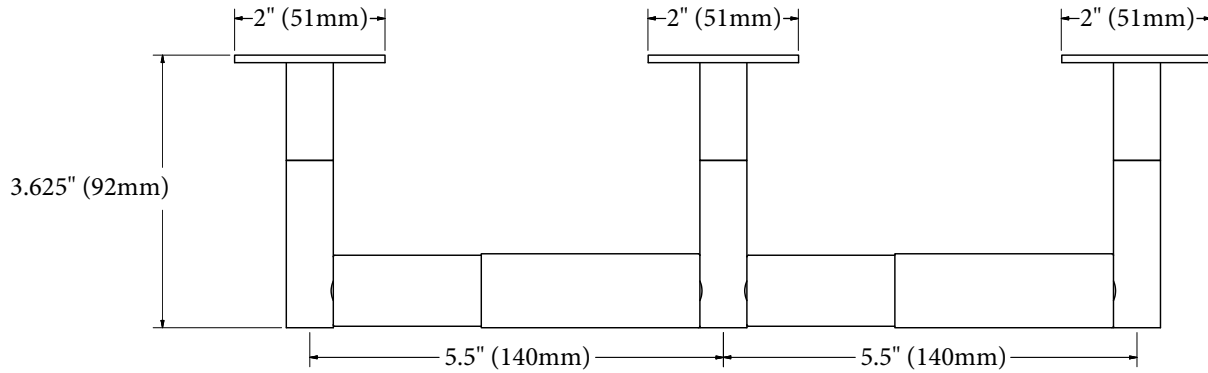
**Front**



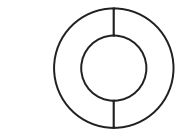
**Back**



**Top**



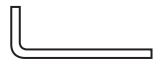
**Included Hardware**



3M<sup>®</sup> Waterproof Tape (3)



2.5" S/S Screw (3)

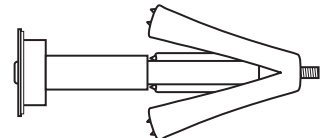


Allen Wrench (1)



Set Screw (3)

**Optional Hardware  
(Sold Separately)**



WINGITS<sup>®</sup> MASTER Anchor (MAW35)  
(3)