

WINGITS®

MAX Elegance™

Horizontal/Vertical Toilet Paper Holder

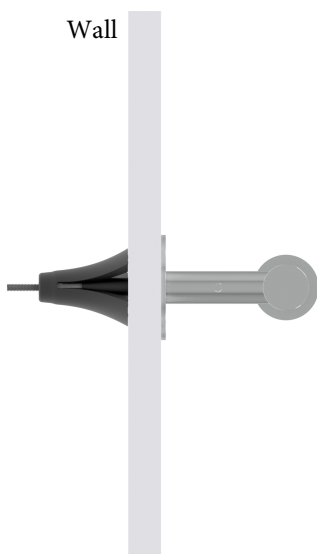
Model:

WXEHVTPH

Part Numbers:

WXEHVTPHPS
Polished Finish

WXEHVTPHSN
Satin Finish



Features:

- Modern design combined with **PATENTED BridgeBind™** Manufacturing creates the ultimate in bath accessories
- No Lines for Dirt to Collect - Maintenance Free
- Hand Polished Stainless Steel

MECHANICAL DATA
Length/Height: 6" (152mm)
Height: 2" (51mm)
Depth: 3.25" (83mm)
Tube Diameter: 0.875" (22mm)
COMPOSITION
18-8 (304) Stainless Steel
INSTALLATION
Includes Stainless Steel Screws to Install into Adequate Structural Blocking . Includes 3M® VHB Waterproof Tape. Can Be Installed with WINGITS® Fasteners when blocking is not available.
RECOMMENDED INTEGRATION
PROPER INSTALLATION REQUIRES use of 3M® VHB Waterproof Tape to stop rotation and MUST be installed into Adequate Structural Blocking or with optional WINGITS® Fasteners. WINGITS® MAX™ design is available in all Bath Accessories.

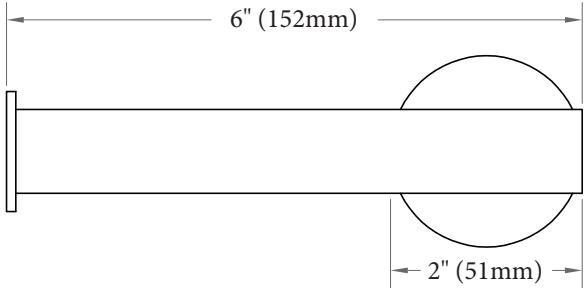
PATENTED

BridgeBind™ Technology

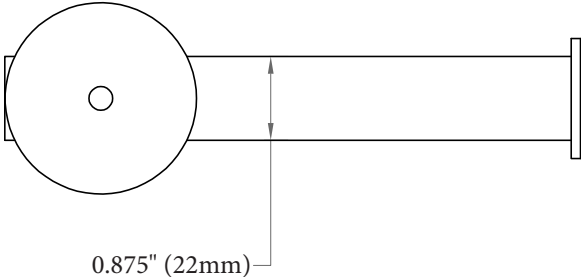


A steel dowel is expertly embedded in a stainless steel tube then arc welded to the tube's far side for the perfect structural synthesis

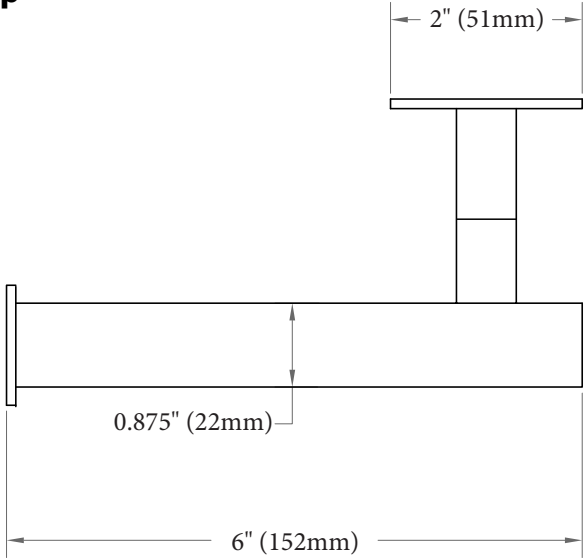
Front



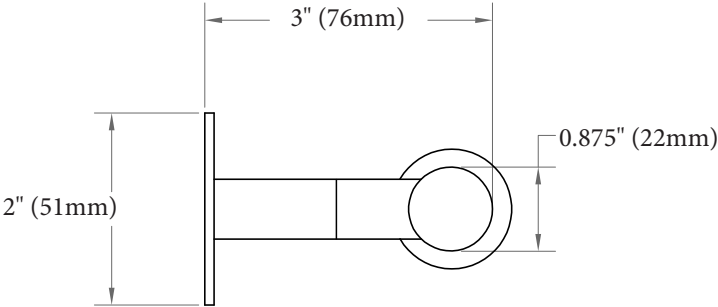
Back



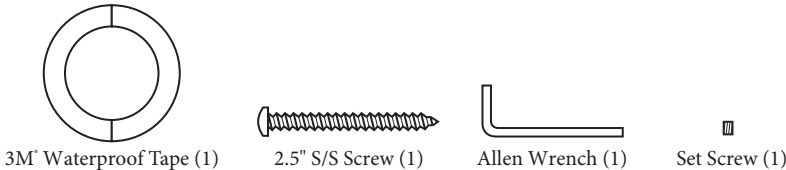
Top



Side



Included Hardware



**Optional Hardware
(Sold Separately)**

