

WINGITS® MODERN Elegance™

Glass Mounted Stainless Steel Double Robe Hook

Model:
WMEDRHGM

Part Numbers:

WMEDRHGMPS

Glass Mounted
Polished Finish

WMEDRHGMSN

Glass Mounted
Satin Finish



Contemporary design combines with **PATENTED** BridgeBind™ Technology resulting in a Robe Hook with:

- Structural Stainless Steel
- Beauty-Functionality-Durability
- No lines for dirt to collect - maintenance free
- Unparalleled strength

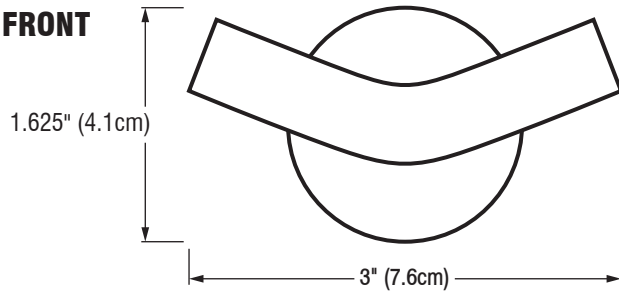
BridgeBind™ Technology is the result of drilling a hole completely through stainless steel tubing, inserting a solid stainless steel pin, and HeliArc Welding the pin to the far point of the tube; solidifying the pin and tube into one piece. Creating the ultimate structural bond.

MECHANICAL DATA
<p>Height: 1.625" (4.1cm) Width: 3" (7.6cm) Projection: 2.125" (5.4cm) from wall surface</p>
PRODUCT COMPOSITION
<p>Entire product is solid 18/8 (304) HeliArc welded stainless steel.</p>
MODALITY
<p>Use: Glass installation.</p>
INSTALLATION
<p>MODERN Elegance™ Glass Mounted Stainless Steel Robe Hooks are designed to be installed into glazing and other panels from 0.25"-0.50" (6-13mm) thickness by placing one of the silicone washers on each side of glazing prior to tightening the Robe Hook.</p>

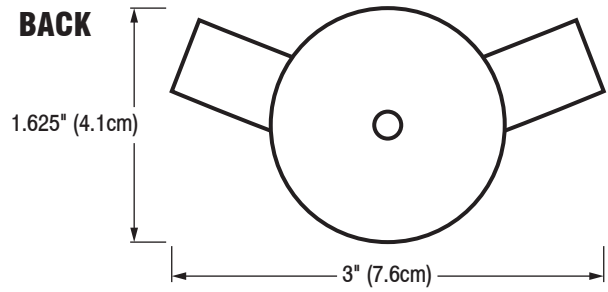
20140819_rev4

WINGITS®

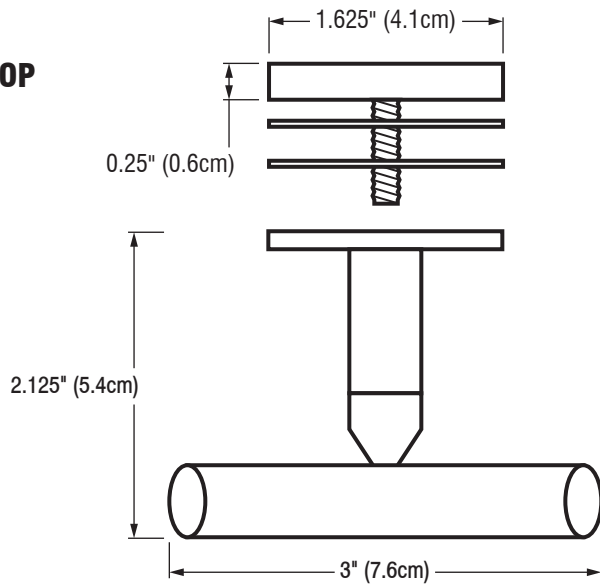
FRONT



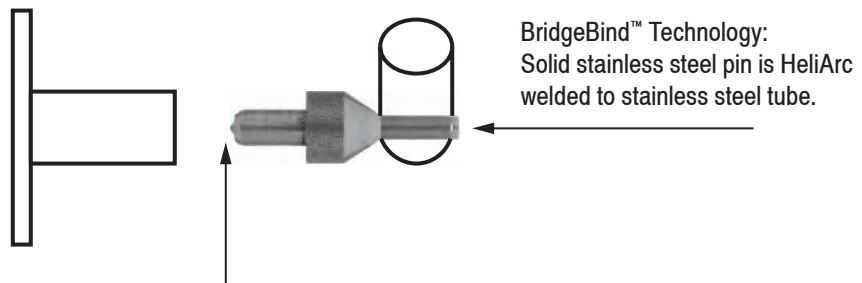
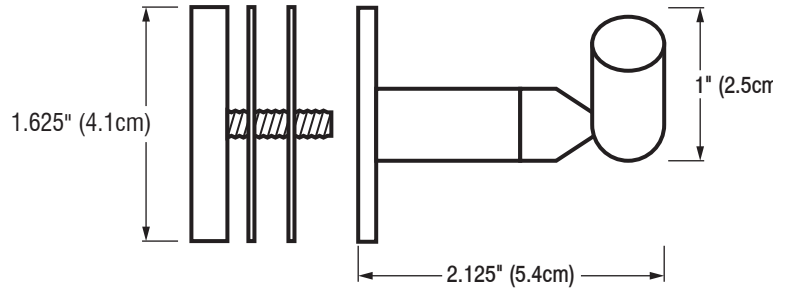
BACK



TOP



SIDE



Use the Robe Hook as its own template.
Put pin to wall to mark drilling location.

INCLUDED HARDWARE

